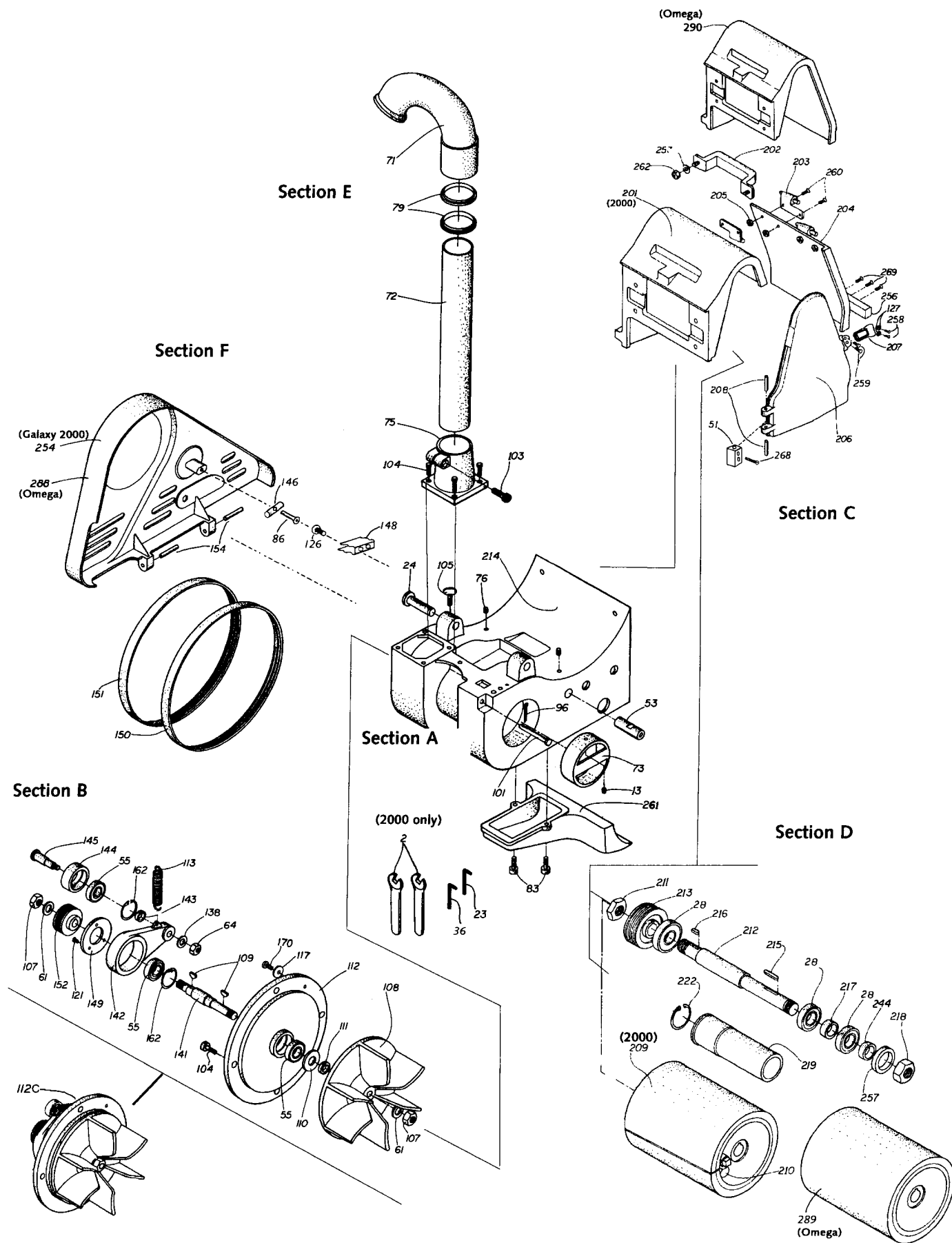

**GET TO KNOW YOUR GALAXY.
MACHINE SCHEMATICS**

- A. Frame Assembly**
 - B. Fan Assembly**
 - C. Drum Housing & Drum Covers**
 - D. Drum Assembly**
 - E. Dust Pipe and Elbow Assembly**
 - F. Drive Belt and Cover**
 - G. Control Lever and Spring Adjustment**
 - H. Wheel Carriage Assembly**
 - I. Rear Wheel Assembly**
 - J. Sanding Belt Guide Mechanism**
 - K. Motor Assembly**
 - L. Electrical**
 - M. Handles, Power Cord & Tools**
-



Section A - Frame Assembly

- | | |
|--|--|
| 2. Wrench - 7/16" Forged Steel - 2 (2000 only) | 76. Screw 3/8" - 16 x 1/2" - set - 2 |
| 13. Screw - 5/16" x 1/4" - set - 1 | 83. Screw 5/16" - 18 x 3/4" - set - 2 |
| 23. Key - 5/32" Allen - 1 | 96. Pin - Cotter 3/32" x 3/4" - 1 |
| 24. Pin - Motor Release - 2 | 101. Pin - 1 |
| 36. Key - 1/4" - Allen - 1 | 105. Screw - 5/16" - 18 x 3/8" Thumb - 2 |
| 53. Shaft - Fulcrum - 2 | 214. Frame - 1 |
| 73. Cover - Clean Out - 1 | 261. Pan - Dust - 1 |

Section B - Fan Assembly

- | | |
|--|---|
| 55. Bearing - Ball 6202 2RS1 - 3 | 117. Washer - Flat #10 - 1 |
| 61. Washer - Shakeproof - 2 | 121. Screw - #8 - 32 x 1/2" F.H. Machined - 3 |
| 64. Nut - 3/8" - 24 Hex Jam - 1 | 138. Washer - #1120 Shakeproof - 1 |
| 104. Screw - 1/4" - 20 x 5/8" Soc. Cap. - 4 | 141. Shaft - Fan - 1 |
| 107. Nut 1/2" - 20 x 3/16" Hex Jam Special - 2 | 142. Arm - Idler - 1 |
| 108. Fan - Vacuum - 1 | 143. Spacer - Idler - 1 |
| 109. Key - 1/8" x 1/2" Woodruff - 2 | 144. Pulley - Idler - 1 |
| 110. Seal - Dust 19 x 35 x 7 - 1 | 145. Shaft - Idler Pulley - 1 |
| 111. Collar - Fan - 1 | 149. Cover - Retaining - 1 |
| 112. Housing - Fan - 1 | 152. Pulley - Fan - 1 |
| 112C. Housing - Fan Complete | 162. Ring - Retaining - 2 |
| 113. Spring - Idler Arm - 1 | 170. Screw - 10-32 x 3/8" R.H. - 1 |

Section C - Housing - Drum

- | | |
|---------------------------------|--|
| 51. Block Assembly - 1 | 253. Washer - Lock - 2 |
| 127. Nut 6 - 32 Lock - 2 | 256. Bumper - Drum Front Cover - 1 |
| 201. Housing - Drum 2000 - 1 | 258. Screw - 6 - 32 x 5/8" R.H. - 2 |
| 202. Handle - Lifting - 1 | 259. Screw - 6 - 32 - 1" R.H. - 2 |
| 203. Hinge - Torpedo - 2 | 260. Screw - 10 - 32 - 3/4 F.H. - 8 |
| 204. Cover - Drum Front - 1 | 262. Nut - 5/16" - 7/8 Hex. - 2 |
| 205. Nut 10- 32 Hex Locking - 8 | 268. Screw 1/4 - 20 x 3/4 Flat Soc. Cap - 2 |
| 206. Cover - Drum Side - 1 | 269. Bumper Screw 10 - 32 x 1 Steel Pan Phillips - 3 |
| 207. Latch - 1 | 270. Brass Rivet - SE8-4 - 3 |
| 208. Pin - Spring 1/4" x 1" - 2 | 290. Housing - Drum Omega - 1 |

Section D - Drum Assembly

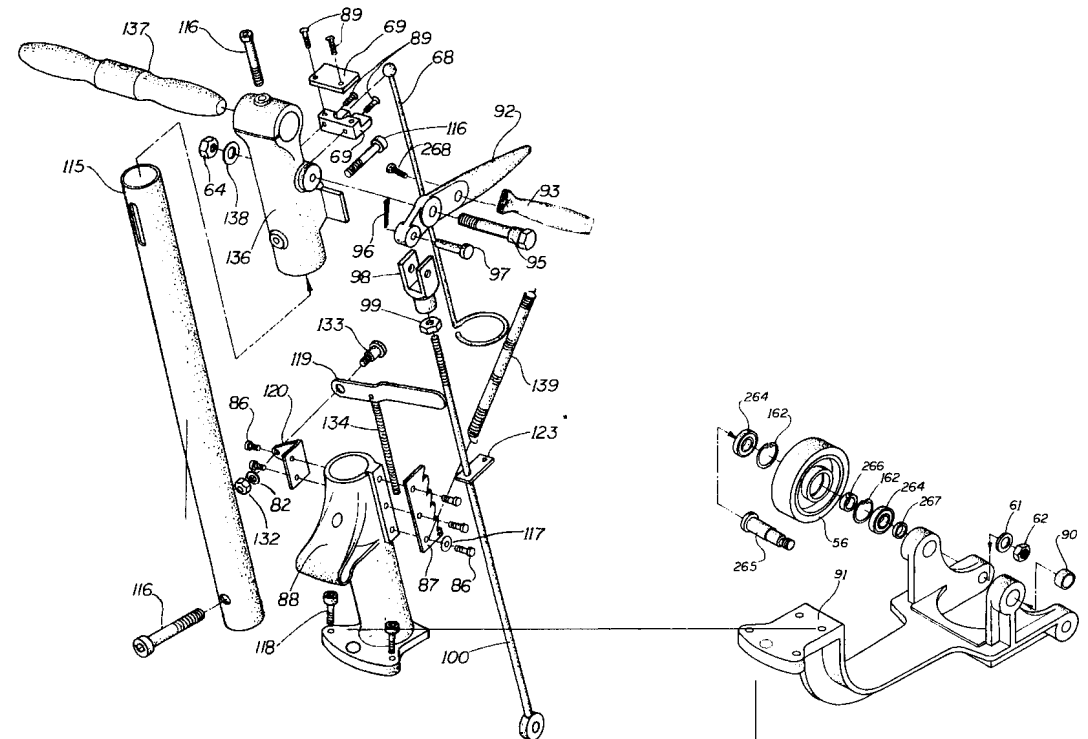
- | | |
|-------------------------------------|----------------------------------|
| 28. Bearing - Drum 6205-2RSB - 3 | 217. Spacer - Bearing Short - 1 |
| 209. Drum - 2000 Plus - 1 | 218. Nut - L.H. 24 mm - 1.5 - 1 |
| 210. Tighteners - Sandpaper - 2 | 219. Housing - Drum Cylinder - 1 |
| 211. Nut - R.H. 24 - 1.5 - 1 | 222. Ring - Retainer - 1 |
| 212. Shaft - Drum - 1 | 244. Spacer - Drum Long - 1 |
| 213. Pulley - Drum - 1 | 257. Seal - Dust 35 x 52 x 7 - 1 |
| 215. Key - Drum Pulley 6x6x20mm - 1 | 289. Drum - Omega - 1 |
| 216. Key - Drum 6 x 6 x 15mm - 1 | |

Section E- Dust Pipe and Elbow Assembly

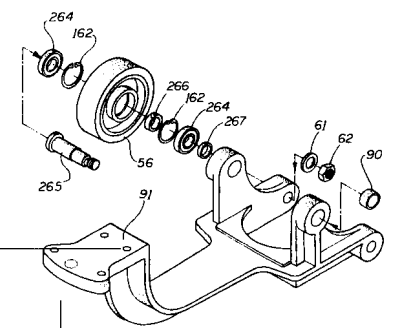
- | | |
|------------------------|--|
| 71. Elbow - Swivel - 1 | 79. Seal - Elbow - 2 |
| 72. Pipe - Dust - 1 | 103. Screw - 3/8" - 16 x 1-1/4" Soc. Cap - 1 |
| 75. Bracket - Dust - 1 | 104. Screw - 1/4" - 20 x 5/8" Soc. Cap - 4 |

Section F - Drive Belt and Cover

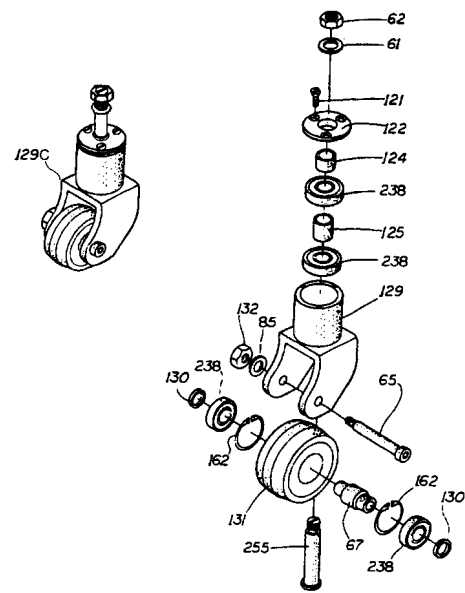
- | | |
|--|-----------------------------|
| 86. Screw 1/4 - 24 x 3/4 Flat Soc. Cap - 1 | 151. Belt - Drum - 1 |
| 126. Screw 8-32 x 1/2 Pan- 2 | 154. Pin - 3/16 x 1 1/2 - 2 |
| 146. Shaft - Guard Holder - 1 | 254. Guard - Belt 2000 - 1 |
| 148. Clip - Guard Holder - 1 | 288. Guard - Belt Omega - 1 |
| 150. Belt - Fan - 1 | |



Section G



Section H



Section I

Section G - Control Lever and Spring Adjustments

- | | |
|--|---|
| 64. Nut - 3/8" - 24 Hex Jam - 1 | 115. Tube - Handle - 1 |
| 68. Rod - Cable Support - 1 | 116. Screw - 3/8" - 16 x 2-1/2" Soc. Cap. - 3 |
| 69. Bracket - Cable Support Assembly - 1 | 117. Washer - Flat #10 - 1 |
| 82. Washer - Shakeproof - 1 | 118. Screw 5/16" - 18 x 1-1/4" Soc. Cap. - 2 |
| 86. Screw - #10 - 24 x 1/2" Soc. Cap. H.D. - 5 | 119. Lever - Pressure Control - 1 |
| 87. Plate - Pressure Control Ratchet - 1 | 120. Bracket - Pressure Lever - 1 |
| 88. Chassis - Upper Truck - 1 | 123. Plate - Spring Adjuster - 1 |
| 89. Screw - 1/4" - 20 x 3/4" Soc. Cap. - 4 | 132. Nut - 5/16" - 18 Hex - 1 |
| 92. Handle - Control - 1 | 133. Stud - 3/8" Shoulder Soc. Cap. - 1 |
| 93. Handle Feathering - 1 | 134. Spring - Pressure Control - 1 |
| 95. Stud - Control Handle - 1 | 136. Bracket - Handle - 1 |
| 96. Pin - Cotter 3/32" x 3/4" - 1 | 137. Handle - Grip |
| 97. Pin - Clevis - 1 | 138. Washer - Shakeproof #1120 - 12 |
| 98. Yoke - Control Handle Rod - 1 | 139. Spring - Buffing - 1 |
| 99. Nut - 3/8" - 16 x 5/16" Hex - 1 | 268. Screw - 1/4" - 20 x 3/4" - 1 |
| 100. Rod - Control Handle - 1 | |

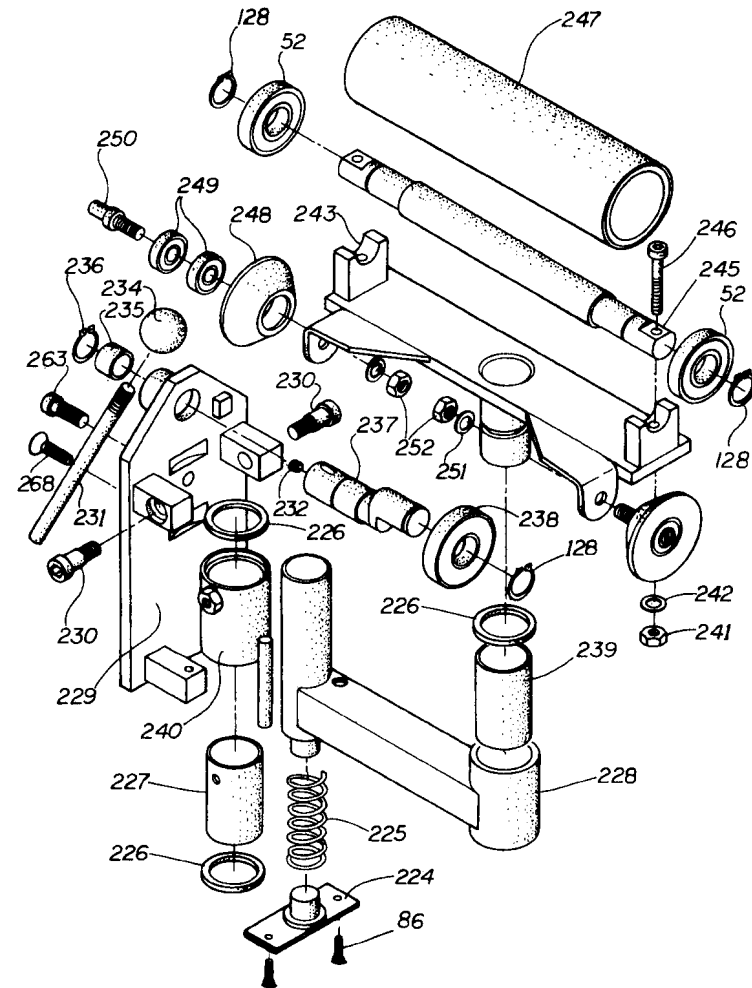
Section H - Wheel Carriage Assembly

- | | |
|------------------------------------|------------------------------|
| 56. Wheel - Front - 2 | 162. Ring - Retaining - 4 |
| 61. Washer - Shakeproof - 2 | 264. Bearing - 6003 2RS - 4 |
| 62. Nut - 1/2" - 20 Hex Jam - 2 | 265. Shaft - Front Wheel - 2 |
| 90. Bearing - Needle - M-12121 - 2 | 266. Spacer - Wheel Long - 2 |
| 91. Chassis - Lower Truck - 1 | 267. Spacer - Wheel Short- 2 |

Section I - Rear Wheel Assembly

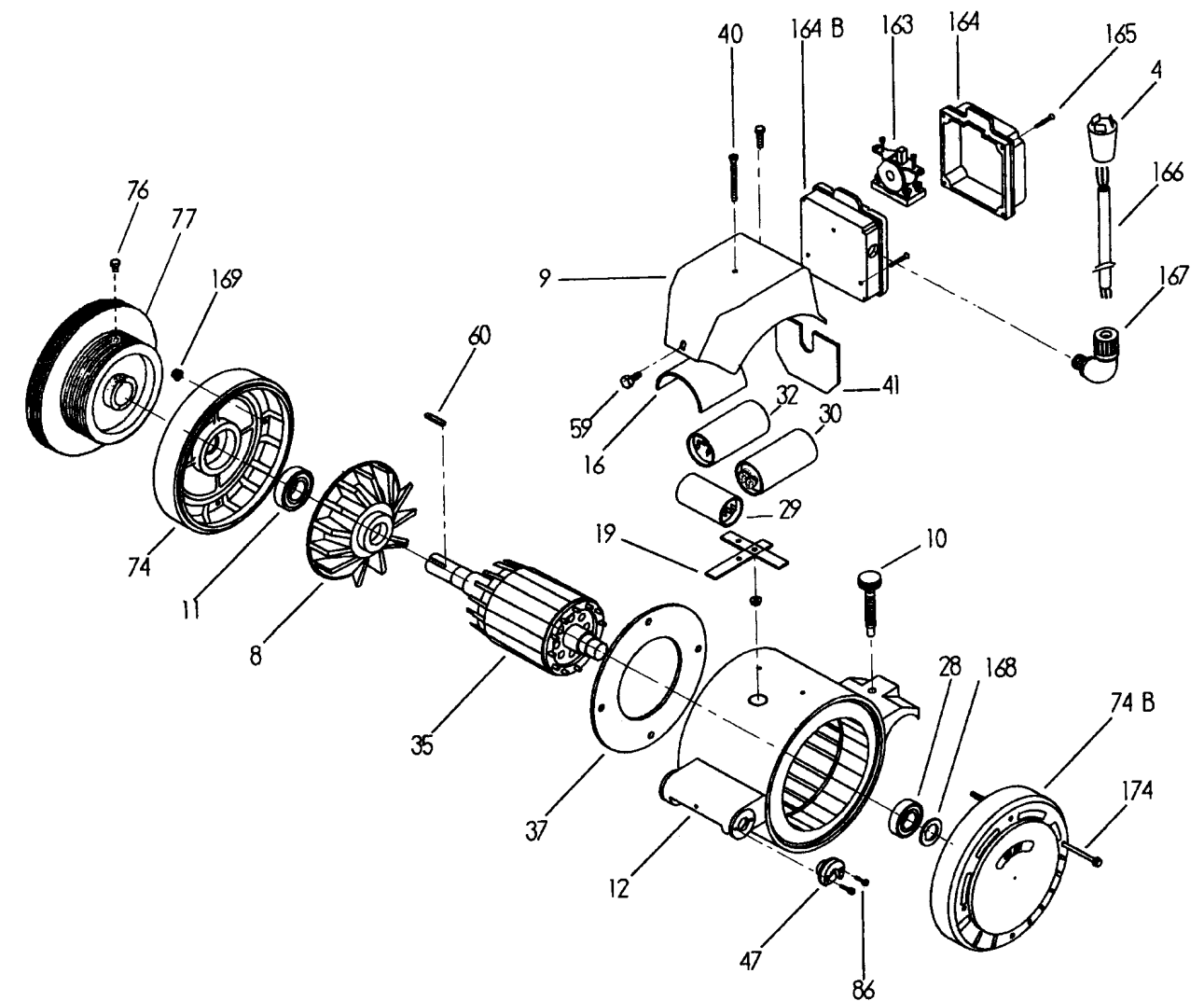
- | | |
|---|---------------------------------|
| 61. Washer - Shakeproof - 1 | 129. Yoke - 1 |
| 62. Nut - 1/2" - 20 Hex Jam - 1 | 129C. Yoke Assembly |
| 65. Shaft - Caster Wheel - 1 | 130. Spacer - Caster Collar - 2 |
| 67. Sleeve - Caster Wheel - 1 | 131. Wheel - Caster - 1 |
| 85. Washer - 7/8 Shakeproof - 1 | 132. Nut - 5/16" - 18 Hex - 1 |
| 121. Screw - #8 - 32 x 1/2" F.H. Machined - 3 | 162. Ring - Retaining - 2 |
| 122. Cover - Caster Yoke - 1 | 238. Bearing - 6202 2RS - 4 |
| 124. Collar - Short - 1 | 255. Shaft - Swivel - 1 |
| 125. Collar - Long - 1 | |

SANDING BELT GUIDE MECHANISM SECTION J



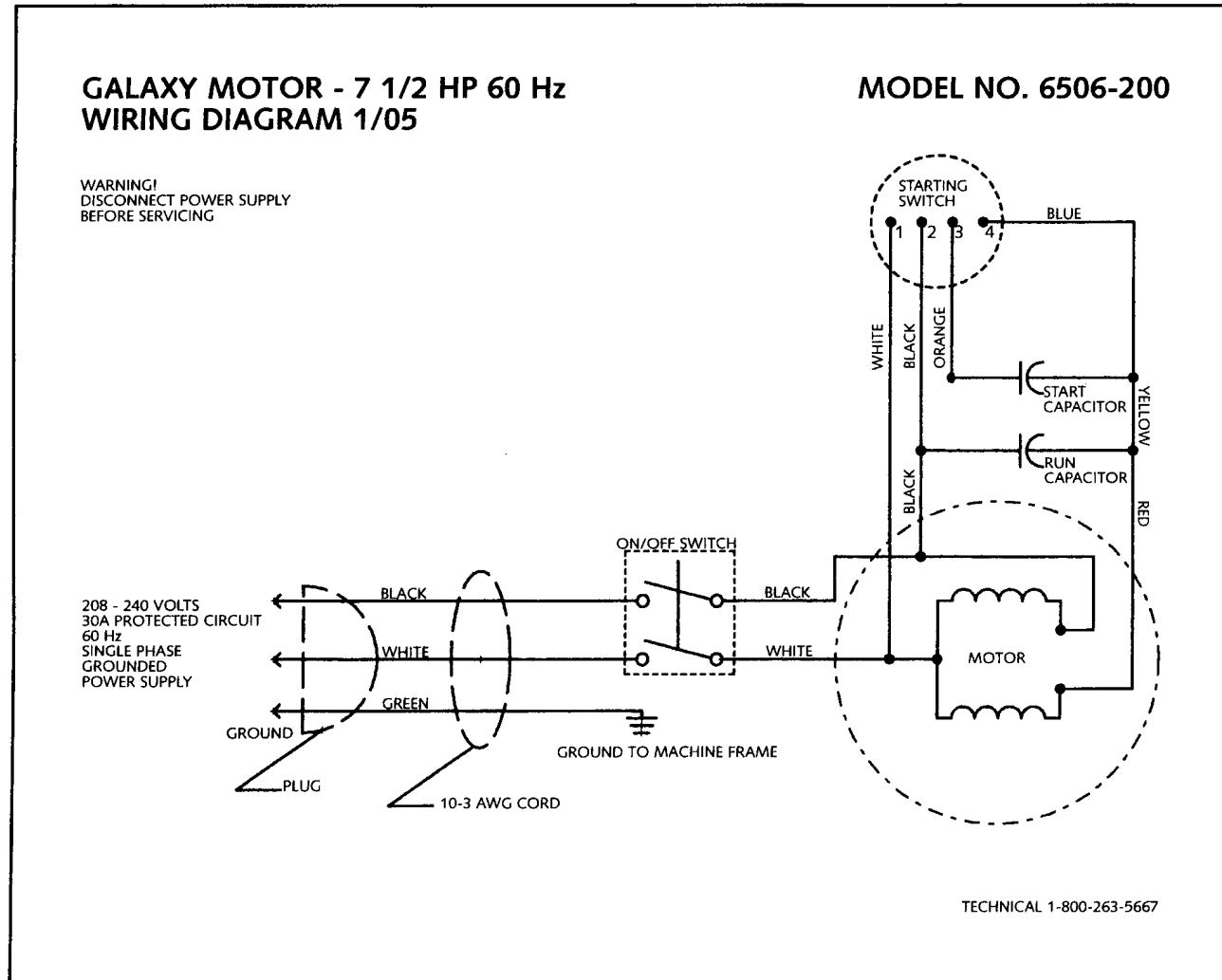
- | | | | |
|-------|---|-------|--|
| 52. | Bearing - Ball 6202 2RC/C3 - 2 | 239. | Spacer - Idler - 1 |
| 86. | Screw - 10 - 24 x 1/2" Soc. Cap. - 2 | 240. | Housing - Adjusting Cylinder - 1(Incl. 226, 227) |
| 128. | Ring - Retaining 15mm - 3 | 241. | Nut - 1/4" - 28 Hex. Jam - 2 |
| 224. | Bracket - Tension Spring - 1 | 242. | Washer - Lock 1/4" - 2 |
| 225. | Spring - Tension - 1 | 243. | Bracket - Tension Roller - 1 |
| 226. | Seal - Dust TCM0111VM - 3 | 243C. | Bracket - Upper Roller - Complete
(Incl. 52, 128, 247C, 248C, 251, 252) |
| 227. | Bushing - Sleeve 1 | 245. | Shaft - Tension Roller - 1 |
| 228. | Arm - Tension Support - 1 | 246. | Screw - 1/4" - 28 x 1 3/4" Soc. Cap - 2 |
| 228C. | Arm Assembly Complete. (Incl. 226, 227, 228, 239, 240) | 247. | Roller - Tension - 1 |
| 229. | Plate - Support Mechanism - 1 | 247C. | Roller - Tension - Complete (Incl. 52, 128, 245, 246, 247) |
| 229C. | Lower Support Mechanism - Complete
(Incl. 86, 128, 224, 225, 228C, 229, 230, 231,
232, 234, 235, 236, 237, 240, 263, 268) | 248. | Roller - Sandpaper Guide - 2 |
| 230. | Screw 5/16" x 3/8" Shoulder - 2 | 248C. | Guide Roller - Sandpaper - Complete (Incl. 248, 249, 250) |
| 231. | Lever - Release - 1 | 249. | Bearing 607-2RS1 - 4 |
| 232. | Screw - Sec 1/4" x 1/4" - 1 | 250. | Shaft - Sandpaper Guide Roller - 2 |
| 234. | Knob - Lever - 1 | 251. | Washer - Lock - 2 |
| 235. | Bearing - Needle SCE 1010 - 1 | 252. | Nut - 6mm Hex. Jam - 2 |
| 237. | Shaft - Roller Release Guide - 1 | 263. | Screw - 5/16" - 24 x 2" Soc. Cap. - 1 |
| 238. | Bearing - 6202 2RS - 1 | 268. | Screw - 1/4" - 24 x 3/4" Flat Soc Cap - 4 |

MOTOR ASSEMBLY SECTION K



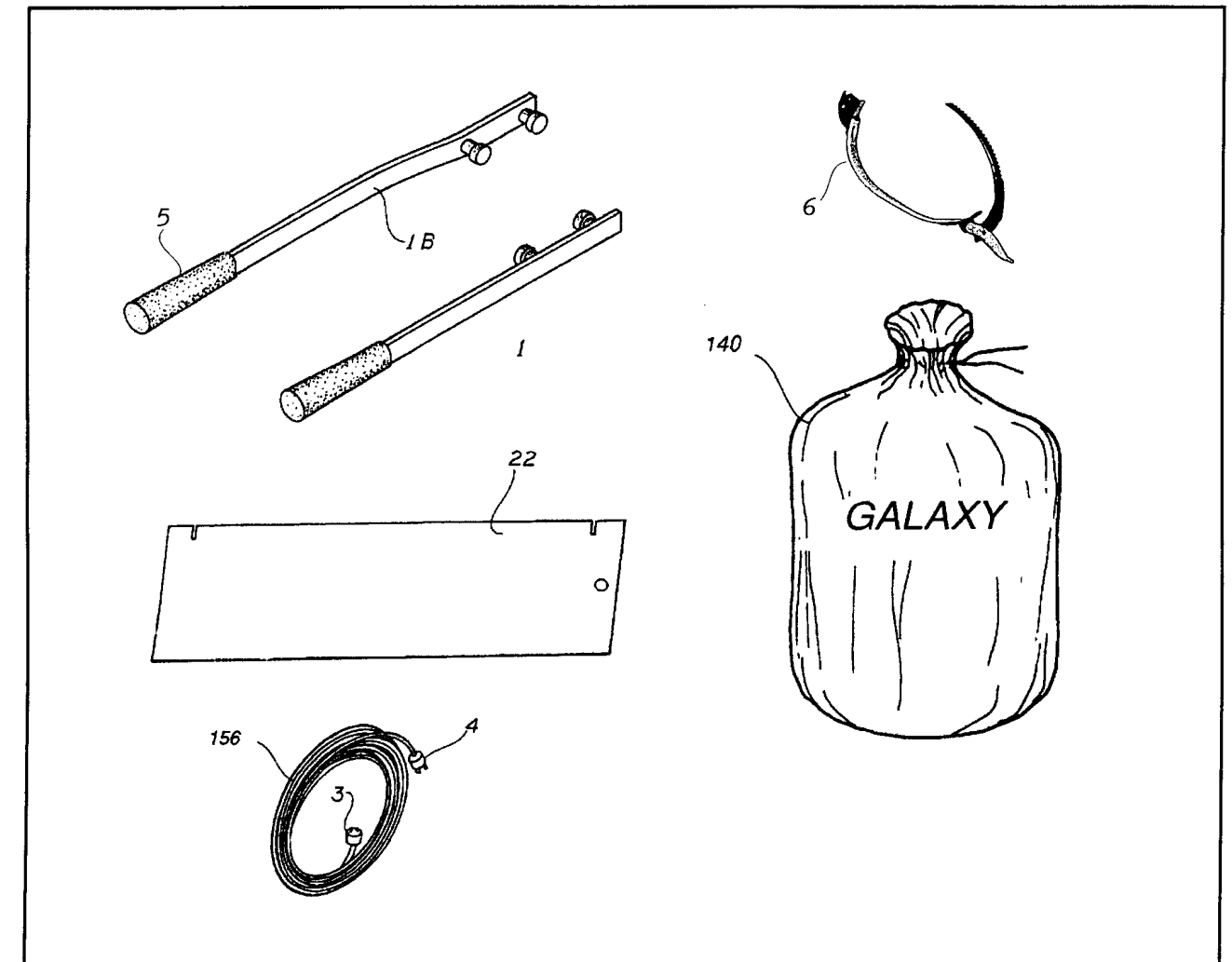
- | | | | |
|------|--------------------------------|-------|-------------------------------------|
| 04. | Plug - Male - 30Amp - 1 | 47. | Plate - Motor Release Pin Guide - 2 |
| 08. | Fan - Cooling - 1 | 59. | Cover - Bolt - 1 |
| 09. | Cover - Capacitor Assembly - 1 | 60. | Key - 1/4" x 1-1/2" - 1 |
| 10. | Screw - Motor Adjust - 1 | 74. | Bell - End Front - 1 |
| 11. | Bearing - 6206 2RS1/C3 - 1 | 74B. | Bell - End Back - 1 |
| 12. | Housing - Motor Assembly - 1 | 76. | Screw - Set 3/8 - 16 x 1/2 - 1 |
| 12C. | Motor Assembly Complete | 77. | Pulley - Motor - 1 |
| 16. | Insulator | 86. | Screw - #10 - 2 |
| 19. | Bracket - Capacitor - 1 | 163. | Switch - On/Off - 1 |
| 28. | Bearing - 6205 - 2RS - 1 | 164. | Box - Switch Top - 1 |
| 29. | Switch - Sinpac - 1 | 164B. | Box - Switch Bottom - 1 |
| 30. | Capacitor - Starting - 1 | 165. | Screw - 8/32 x 1" F.H. Machined - 4 |
| 32. | Capacitor - Running - 1 | 166. | Cord - Pig Tail - 1 |
| 35. | Rotor - Assembly - 1 | 167. | Retainer - Cord - 1 |
| 37. | Shield - Fan - 1 | 168. | Washer - Spring - 1 |
| 40. | Screw - | 169. | Nut - Flange - 1/4" - 20 - 3 |
| 41. | Insulator | 174. | Bolt - Motor - 4 |

ELECTRICAL SECTION L



- | | |
|--|---|
| <p>29. Sinpac
30. Capacitor - Starting 218MF</p> | <p>32. Capacitor - Running 40MF - 50 MF
163. Switch - On/Off.</p> |
|--|---|

CARRYING HANDLES & POWER CORD SECTION M



- | | |
|---|--|
| <p>1. Carrying Handle - Straight - 1
1B. Carrying Handle - Bent - 1
3. Plug - Female 30Amp - 1
4. Plug - Male 30Amp - 1
5. Grip - Carrying Handle - 2</p> | <p>6. Clamp - Dust Bag - 1
22. Template - Paper Cutting (2000 ONLY) - 1
140. Dust Bag - 1
156. 100' Power Cord - 1</p> |
|---|--|