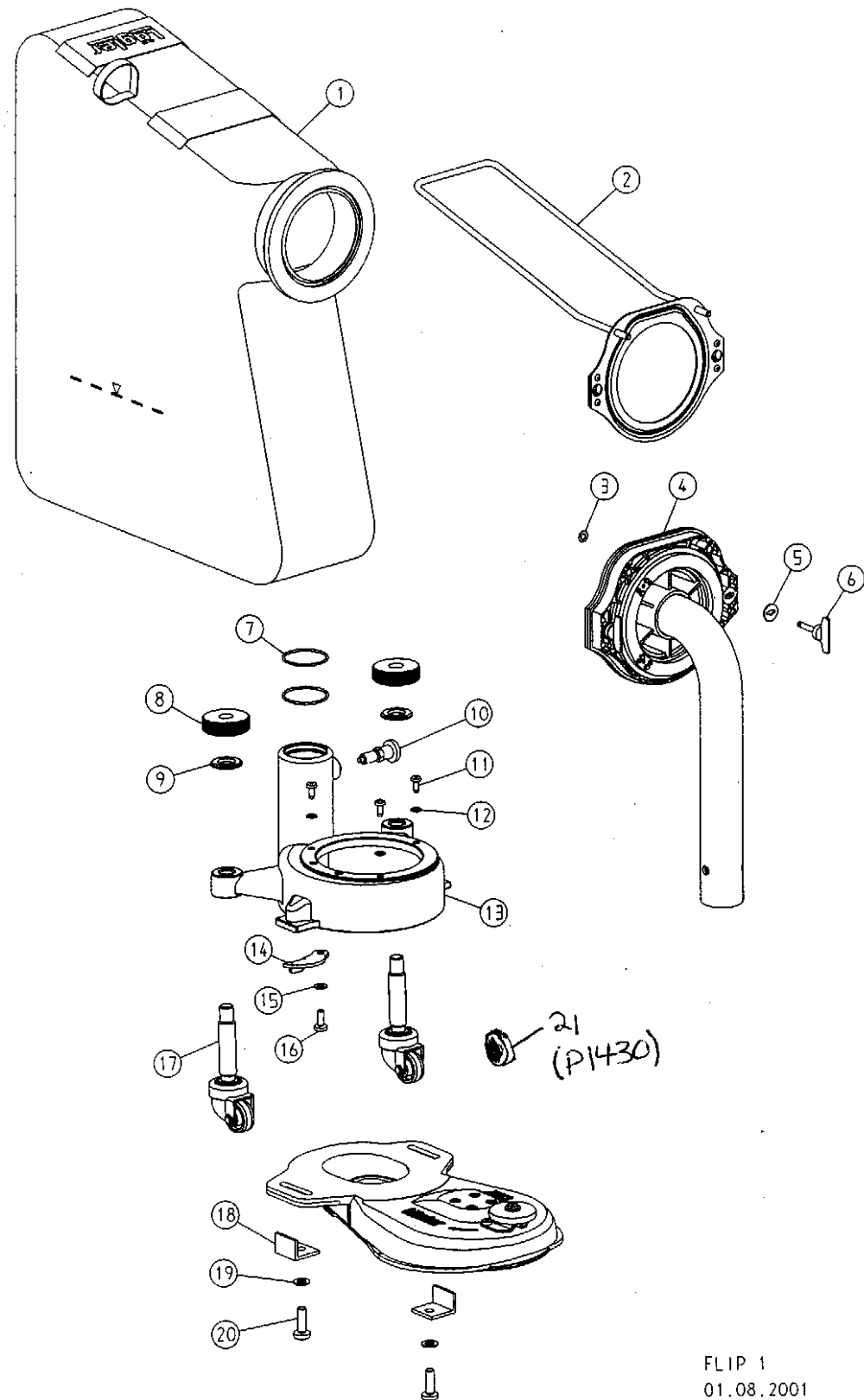


SPARE PARTS
FLIP EDGER



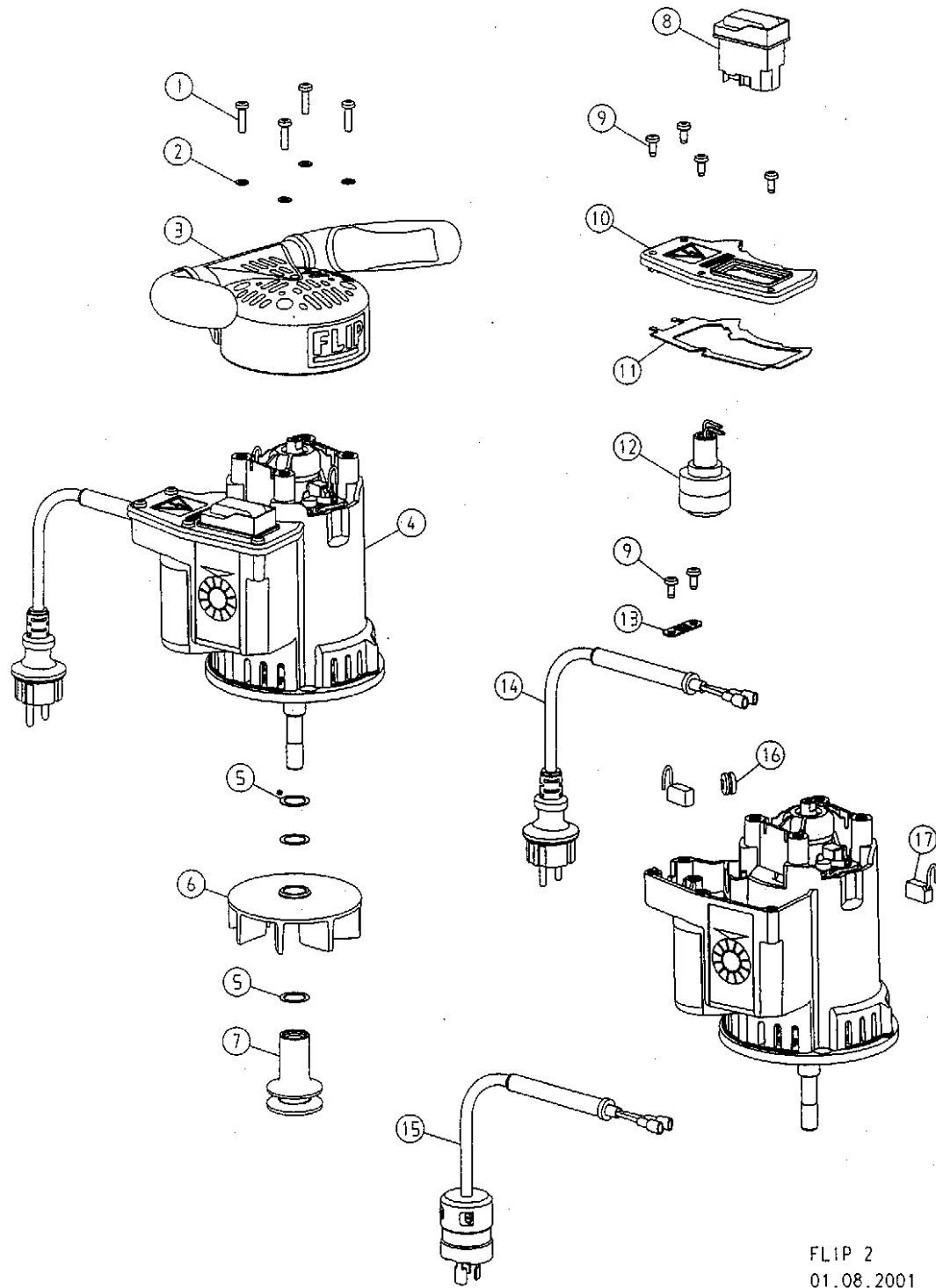
FLIP 1
01.08.2001

Lägler FLIP SPARE PARTS

Position	Manufacturer Number	Part Number	Description
	320.00.80.100	P1200	Dust bag, complete
1	320.00.86.105	P1201	Dust bag
2	320.00.82.100	P1202	Fixing plate with bracket
3	000.25.11.752	P1203	Retaining disc
4	320.14.00.100	P1204	Pipe socket, complete
5	000.10.10.055	P1205	Washer
6	000.25.11.433	P1206	Locking pin
7	000.11.40.901	P1207	O-ring
8	320.05.11.100	P1208	Knurled nut
9	0125.1016.000	P1209	Washer
10	000.20.15.005	P1210	Stop bolt
11	7500.1005.012	P1211	Lens head screw
12	0125.1005.000	P1130	Washer
13	320.08.10.100	P1212	Fan housing complete
14	320.08.03.100	P1213	Belt tightener plate
15	0125.1006.000	P047	Washer
16	7985.1006.816	P1214	Lens head screw
17	320.05.00.100	P626	Guide roller, complete
18	320.01.09.100	P1215	Guide angle
19	0125.1008.000	P027	Washer
20	7985.1008.825	P1216	Lens head screw

21

P1430 Wheel (separate)

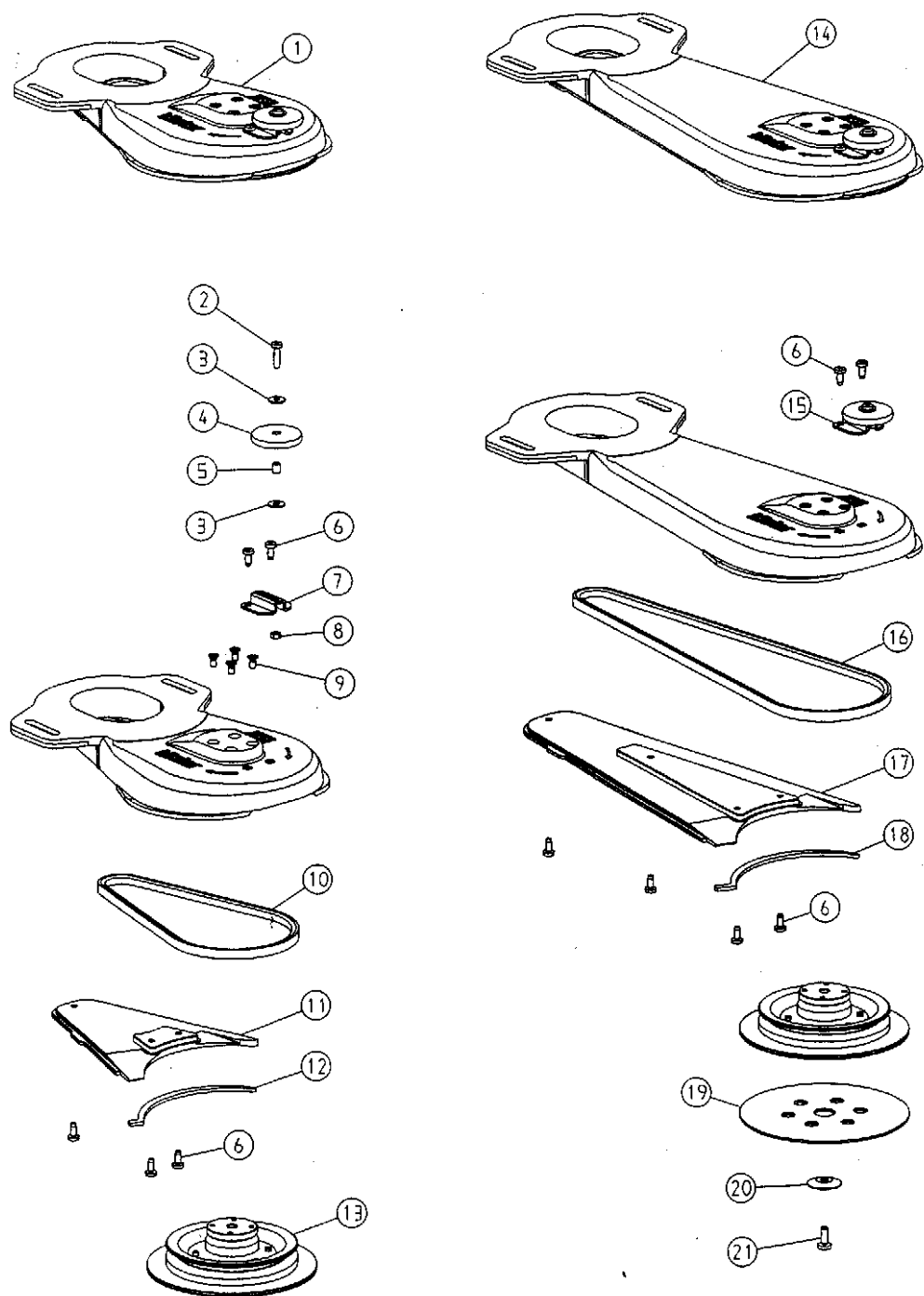


Lägler

FLIP SPARE PARTS

Position	Manufacturer Number	Part Number	Description
1	7985.1005.820	P1217	Lens head screw
2	0125.1005.000	P1130	Washer, Locking
3	320.20.10.105	P1218	Handle
4	320.65.00.100	P1219	Universal Motor, 230 V /50 + 60CPS
	322.65.00.100	P1220	Universal Motor, 110 V /50 + 60CPS, USA
5	0988.0016.005	P1221	Precision washer
6	320.10.10.100	P1222	Fan wheel
7	320.65.06.100	P1223	Motor belt pulley
8	000.65.60.256	P441-220V	Switch, 230 V / 50+ 60 CPS
	000.65.60.156	P441	Switch, 115 V / 50+ 60 CPS
9	7500.1005.012	P1211	Lens head screw
10	320.65.47.100	P1224	Cover switchbox with sealing
11	320.65.48.105	P1225	Sealing
12	320.65.30.100	P1226	Interference-free capacitor, complete
13	320.65.59.100	P1227	Latch fastener
14	000.65.42.151	NA	Motor cable 2 X 1.5 mm ²
15	000.65.42.153	P443	Motor cable 2 X 1.5 mm ² USA
16	000.63.12.071	P333	Rubber tube
17	000.65.84.012	P1228	Carbon brush

SPARE PARTS



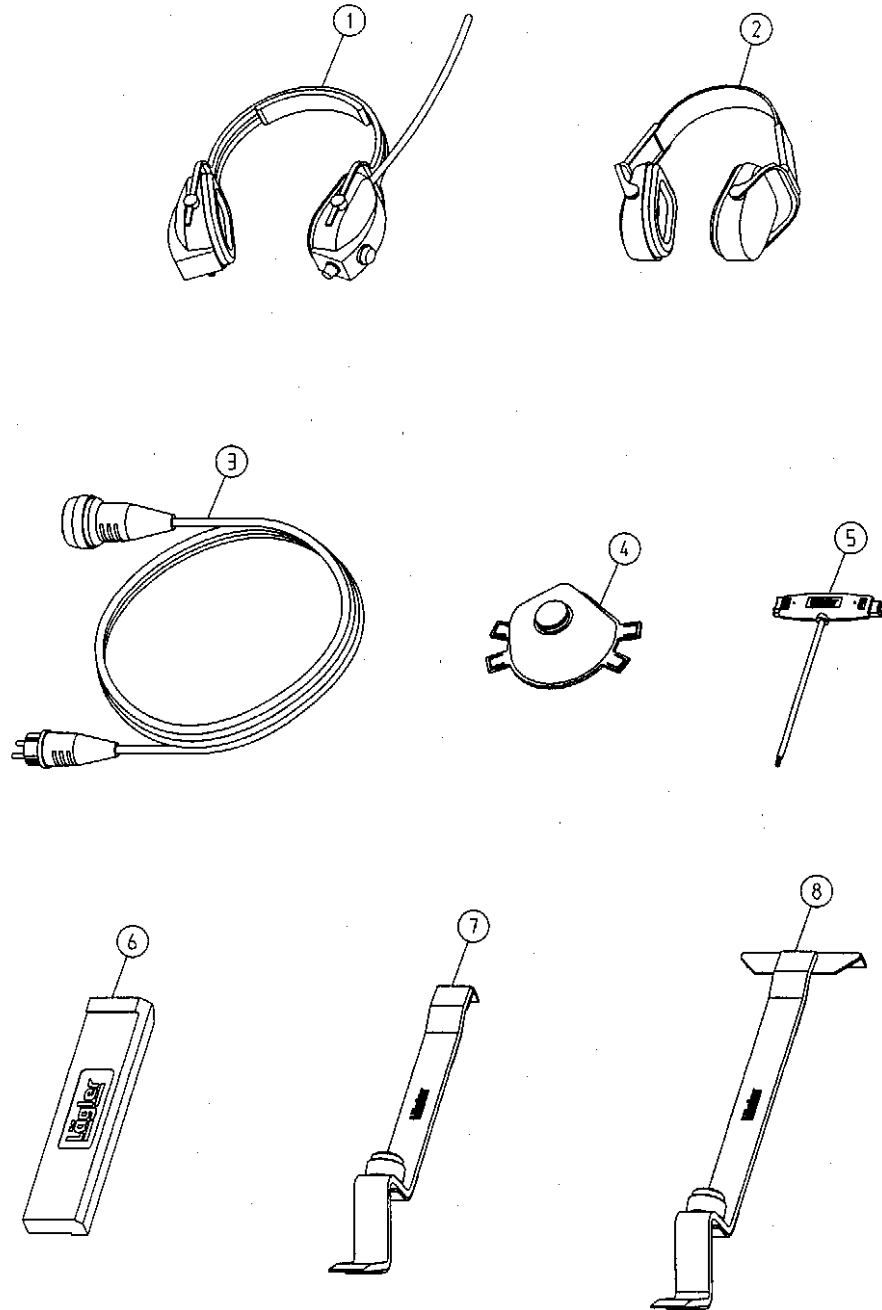
FLIP 3
01.08.2001

Lägler

FLIP SPARE PARTS

Position	Manufacturer Number	Part Number	Description
1	320.01.00.100	P1229	Attachment short, complete
2	7985.1005.820	P1217	Lens head screw
3	9021.1005.000	P263	Washer
4	320.60.02.100	P1231	Wall-protecting roller
5	000.43.15.052	P1232	Bush
6	7500.1005.012	P1211	Lens head screw
7	320.60.01.100	P1235	Bracket
8	0934.1005.000	P1236	Nut
9	0965.1005.810	P1237	Countersunk head screw
10	000.71.51.053	P1238	V-belt 10 X 530
11	320.01.03.100	P1239	Attachment cover short, complete
12	320.01.51.105	P1240	Seal, green
13	320.01.91.100	P1241	Steel sanding disc, complete
14	330.01.00.100	P1242	Attachment long, complete
15	320.60.00.100	P1243	Wall-protecting roller with bracket
16	000.71.51.085	P944	V-belt 10 X 850
17	330.01.03.100	P1247	Attachment cover long, complete
18	330.01.51.105	P1245	Seal, black
19	350.03.35.205	P683	Velcro disc 150 mm
20	320.02.05.100	P1246	Paper tensioning disc
21	7985.1006.816	P1214	Lens head screw

SPARE PARTS



FLIP 4
01.08.2001

Lägler

FLIP SPARE PARTS

Position	Manufacturer Number	Part Number	Description
1	000.01.10.011	P1248	Foldable earmuff type MUSIMAFF
2	000.01.10.021	P1249	Foldable earmuff type POCKET
3	000.65.53.151	P444	Extension cable 3 X 1.5 mm2, 10m
4	000.01.20.010	P1250	Protective mask P3
5	000.91.40.001	P1230	Universal spanner
6	701.10.00.100	P1099	Impact tool
7	702.00.00.100	P1251	Parquet layer tool 43 cm long
8	703.00.00.100	P1252	Parquet layer tool 55 cm long
9		P1233	Special tube vacuum
10		P1234	Guide roller, complete