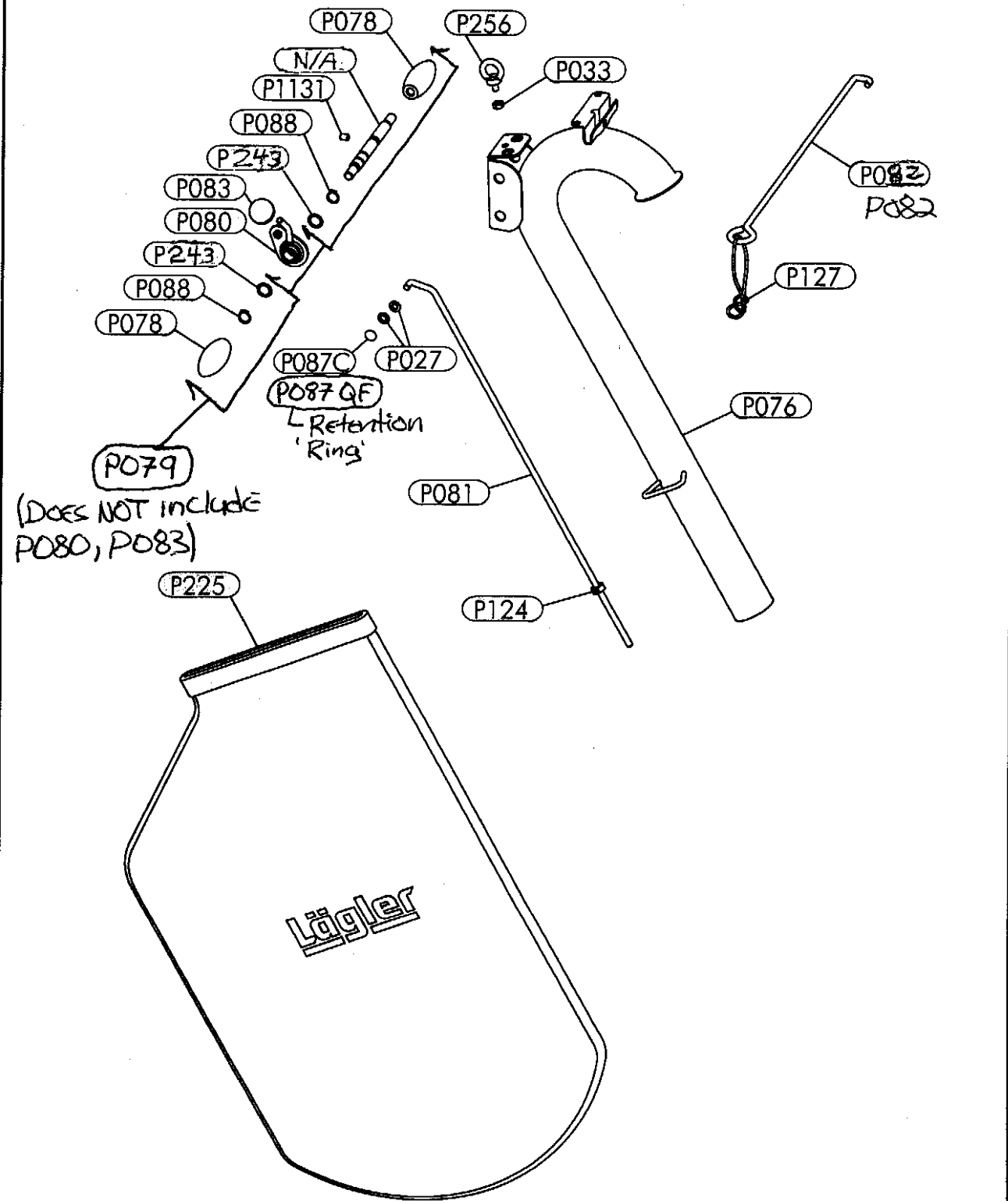


SPARE PARTS

8" HUMMEL

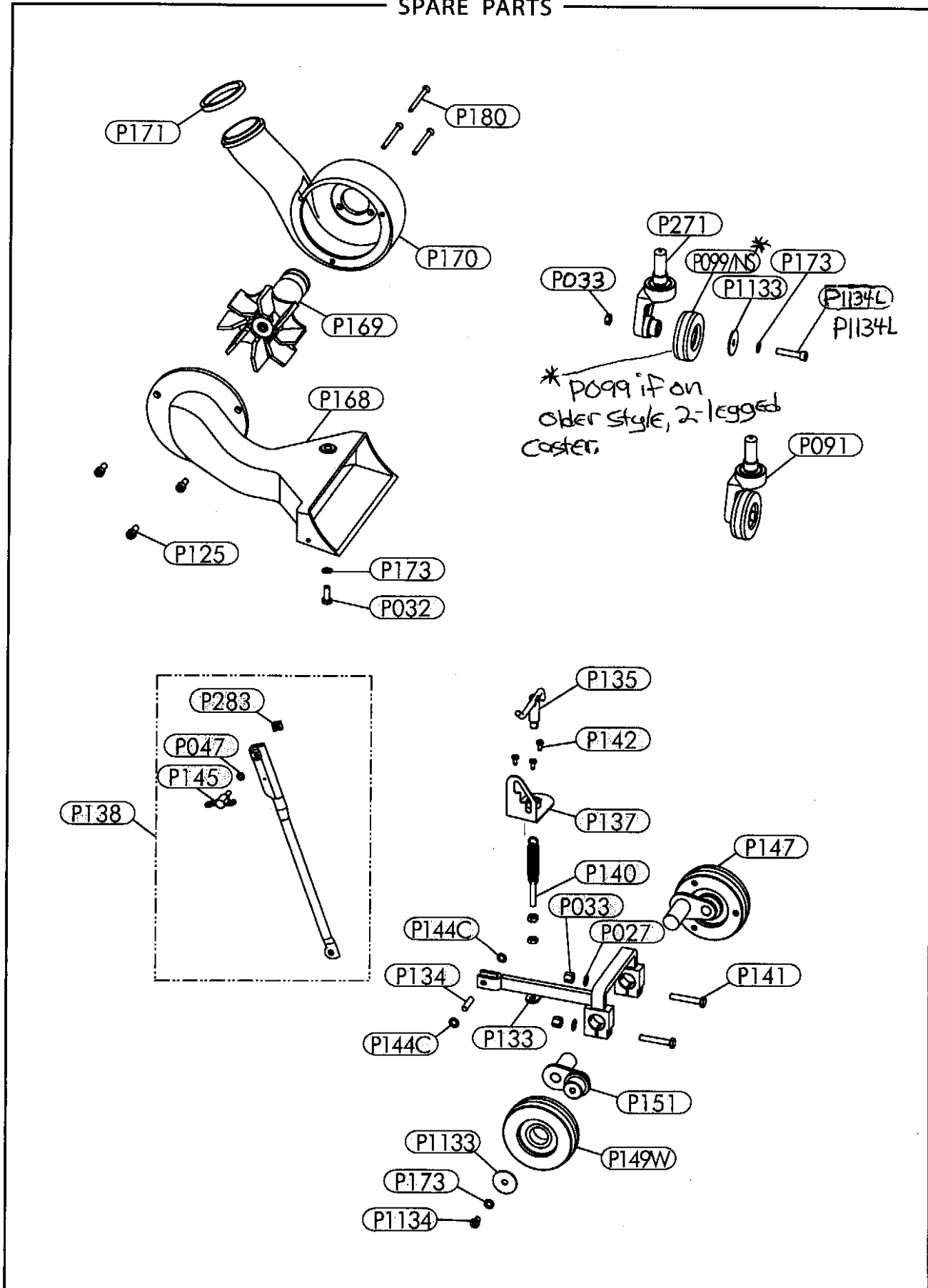


SPARE PARTS

Pos.	Product-No.		Description
1	100.00.80.105	P225	Dust bag HUMMEL
3	000.17.21.081	P087C	Fixing 'cap' / P087 QF - Fixing 'Ring'
4	0125.1008.000	P027	Washer
5	000.20.56.351	P083	Ball knob
6	100.20.18.200	P080	Lever
7	0471.0015.000	P088	Circlip
10	0580.1008.000	P256	Thread eye
11	0980.1008.000	P033	Nut
12	000.01.40.011	P127	Strain relief ring
13	100.20.26.100	P082	Cable support, complete
15	100.20.01.200	N/A	Guide tube
	102.20.01.200	P076	Guide tube USA
	100.20.00.200	N/A	Guide tube, complete
	102.20.00.200	P090	Guide tube USA, complete
	100.21.00.200	P090L	Guide tube long, complete
16	100.20.24.100	P081	Upper rod, complete
62	100.20.23.100	P124	Adjusting ring, complete
65	000.20.31.351	P078	Handle
66	0988.0015.005	P243	Precision washer
67	0914.0008.012	P1131	Grub screw
<del>68</del>	"	P079	Handle COMPLETE (Does NOT include P080, P083)



SPARE PARTS



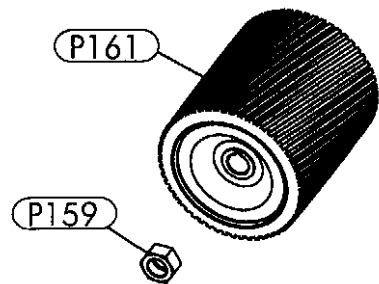
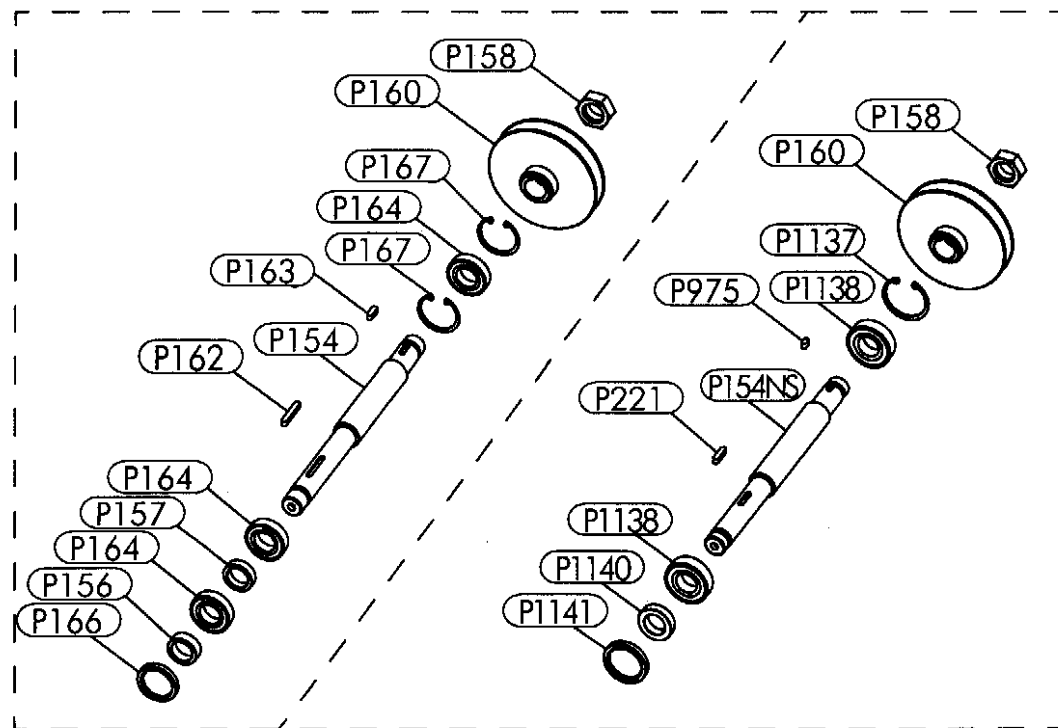
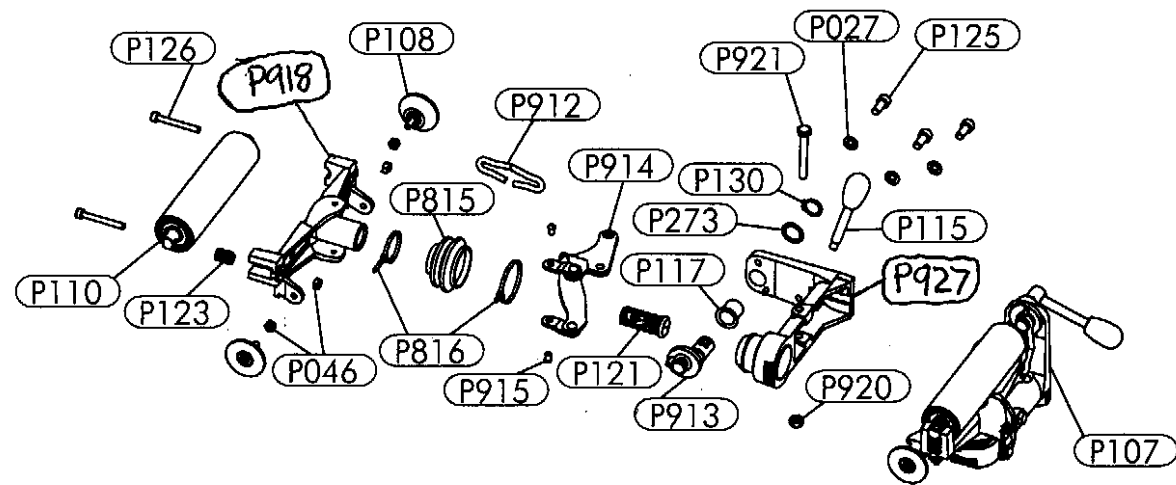
Lägler

SPARE PARTS

Pos.	Product-No.		Description
1	0965.1006.070	P180	Countersunk head screw
2	100.08.01.200	P171	Sealing ring
3	100.08.00.100	P170	Fan housing
4	100.10.00.200	P169	Fan insert, complete
5	100.14.00.100	P168	Intake duct
6	0933.1008.022	P032	Hexagonal head screw
7	6797.1008.000	P173	Toothed lock washer
8	0912.1008.018	P125	Hexagonal socket head screw
13	000.20.46.062	P145	Wing screw
14	0125.1006.000	P047	Washer
16	100.04.09.100	P138	Lower rod, complete
17	000.17.20.081	P144C	Quick-fixing-fastener
18	100.04.01.200	P134	Pivot pin
19	100.04.25.100	P140	Tension spring complete with screw
20	100.04.06.200	P137	Notch plate
21	7500.1005.012	P142	Lens head screw
22	100.04.02.100	P135	Spring tensioner, complete
23	100.05.00.200	P147	Lateral wheel, complete
24	0931.1008.050	P141	Hexagonal head screw
25	100.04.00.100	P133	Lifting fixture
26	0125.1008.000	P027	Washer
27	6330.1008.000	P033	Nut
34	000.50.12.061	P283	Exchangeable nut
40	100.05.04.200	P151	Wheel arm
41	100.05.29.100	P149W	Lateral wheel
42	000.10.10.085	P1133	Washer
43	7984.1008.012	P1134	Hexagonal socket head screw
45	100.18.00.300	P091	Rear wheel, complete
46	0934.1008.000		Nut
47	100.18.18.300	P271	Yoke housing, complete
48	100.18.29.105	P099/NS	Rear wheel / P099 Rear Wheel (Old Style)
49	0912.1008.040	P1134L	Hexagonal socket head screw

Lägler

SPARE PARTS

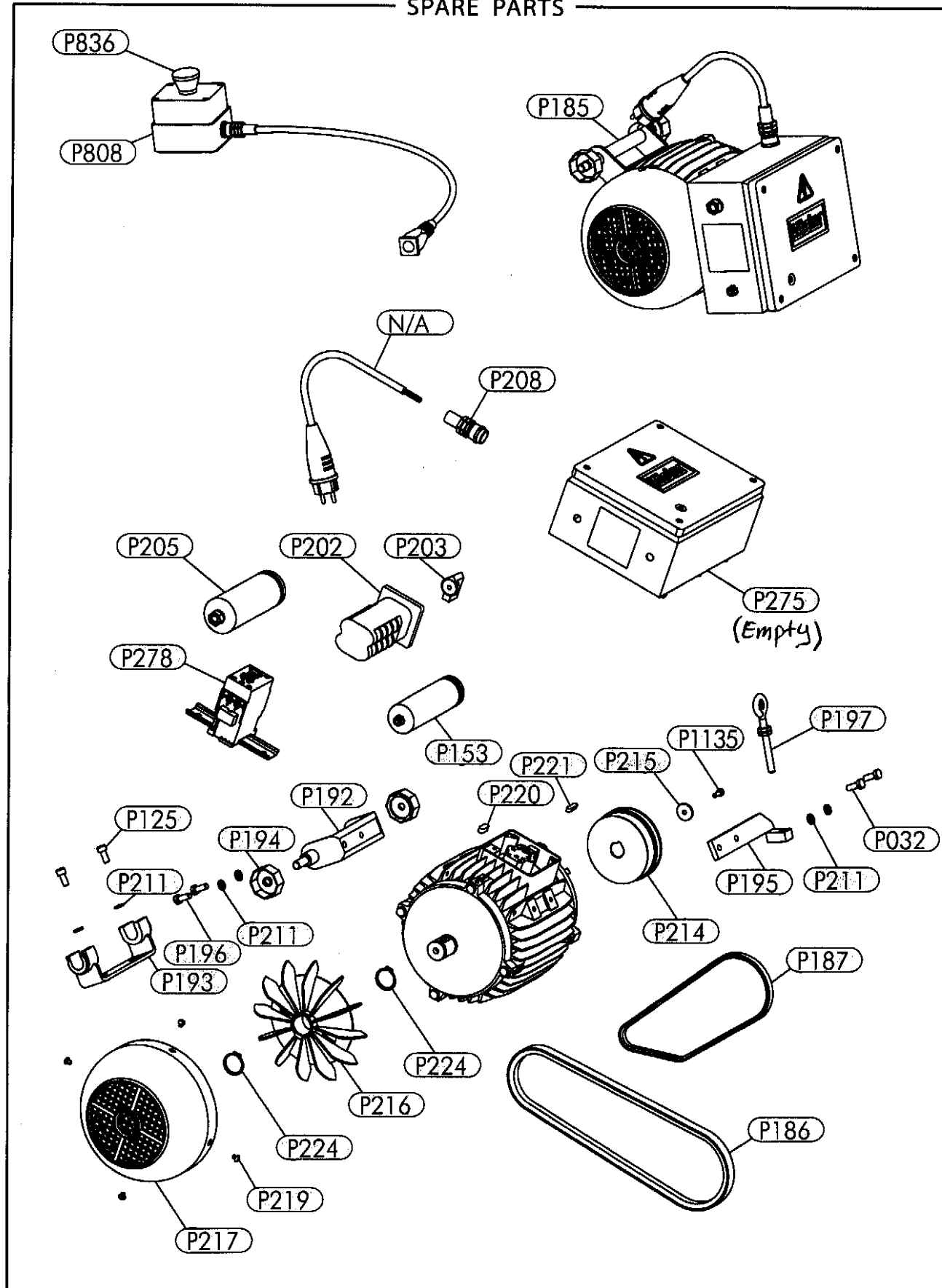


Please state the machine number with each order.

SPARE PARTS

Pos.	Product-No.		Description
1	100.45.00.100	P107	Drive unit, complete
2	0912.1006.050	P126	Hexagonal socket head screw
3	100.45.12.105	P110	Tensioning roller
4	000.31.13.021	P123	Compression spring
5	100.45.01.105	P108	Guide roller
6	0980.1006.000	P046	Nut
7	0125.1008.000	P027	Washer
8	0912.1008.018	P125	Hexagonal socket head screw
9	100.45.81.105	P815	Collar
10	000.61.10.363	P816	Nylon fastener
12	100.45.20.100	P913	Crank
13	100.45.24.105	P117	Bearing bush
14	0988.0018.005	P273	Precision washer
15	0471.0018.000	P130	Circlip
16	000.20.32.104	P115	Operating lever
18	100.45.17.100	P912	Clip
19	0931.1008.060	P921	Hexagonal head screw
20	0980.1008.000	P920	Nut
21	100.45.61.105	P915	Roundhead screw
22	100.45.37.100	P914	Double arm, complete
23	100.02.05.100	P158	Hexagonal nut, right-hand thread
24	100.36.00.100	P160	V-belt pulley
25	0472.0047.000	P167	Circlip
26	6005.0025.205	P164	Ball bearing
28	6885.0606.018	P163	Key
29	100.02.01.100	P154	Sanding shaft
30	6885.0606.040	P162	Key
32	100.02.04.105	P157	Spacer ring
34	100.02.03.105	P156	Slide ring
35	000.11.35.102	P166	Shaft seal
36	120.40.00.100	P161	Sanding drum HUMMEL
	120.41.00.100	P1120	Sanding drum HUMMEL, hard rubber cover
37	100.02.06.100	P159	Hexagonal nut, left-hand thread
46	100.45.45.100	P121	Compression spring
60	0472.0052.000	P1137	Circlip
61	6205.0025.205	P1138	Ball bearing
62	6885.0606.010	P975	Key
63	100.02.01.200	P154NS	Sanding shaft
64	6885.0606.025	P221	Key
65	100.02.03.200	P1140	Spacer ring
66	000.11.40.102	P1141	Shaft seal

SPARE PARTS



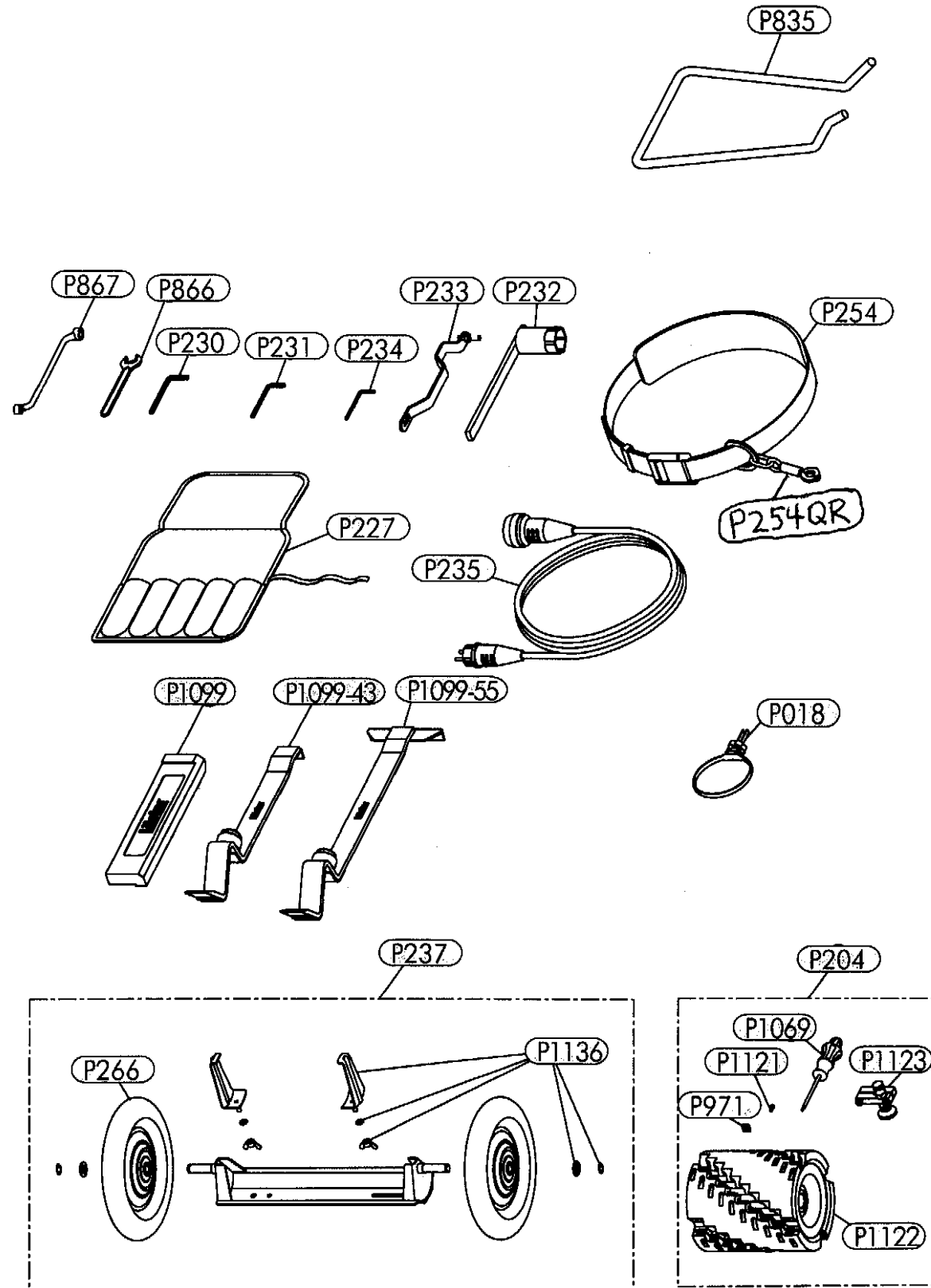
Lägler

SPARE PARTS

Pos.	Product-No.		Description
1	100.65.00.100	N/A	Single-phase AC motor new, 230 V / 50 CPS / 2.2 kW
	101.65.00.100	N/A	Single-phase AC motor new, 230 V / 60 CPS / 2.2 kW
	102.65.00.100	P185	Single-phase AC motor new, 220 V / 60 CPS / 2.9 kW, USA
	105.65.00.100	N/A	Three-phase AC motor new, 400 V / 50 CPS / 4 kW
2	000.71.26.087	P186	V-belt 17 x 875
3	000.71.24.065	P187	V-belt 10 x 650
4	0912.1008.020	P125	Hexagonal socket head screw
5	0127.1008.000	P211	Spring washer
6	100.65.29.200	P193	Motor bearing bracket
7	0933.1008.020	P196	Hexagonal head screw
9	100.65.30.100	P194	Motor nut
10	100.65.25.100	P192	Motor mounting
11	100.65.09.100	P217	Fan cover
12	7500.1005.006	P219	Lens head screw
13	0471.0030.000	P224	Circlip
14	100.65.08.105	P216	Fan wheel
16	6885.0807.020	P220	Key
17	6885.0606.025	P221	Key
18	100.65.06.100	P214	Motor pulley
19	000.10.10.061	P215	Lock washer
20	0912.1006.014	P1135	Hexagonal socket head screw
21	100.65.80.105	P197	Eye bolt
22	100.65.35.100	P195	Motor tensioner
23	0933.1008.022	P032	Hexagonal head screw
25	000.67.20.161	P208	Strain relief unit
26	000.65.43.251	N/A	Motor cable 3 x 2.5 mm <sup>2</sup>
	000.65.43.257	N/A	Motor cable 3 x 2.5 mm <sup>2</sup> , USA
	000.65.45.151	N/A	Motor cable 5 x 1.5 mm <sup>2</sup> , three-phase AC motor
27	100.65.40.100	N/A	Switchbox, 230 V / 50 CPS
	102.65.40.100	P275	Switchbox, 220-230 V / 60 CPS + three-phase AC current (Empty)
28	000.65.10.041	P205	Running capacitor
29	000.65.62.211	P203	Switchknob
30	000.65.60.253	P202	Switch
	000.65.60.401		Switch three-phase AC motor
31	000.65.10.061	N/A	Starting capacitor
	000.65.10.131	P153	Starting capacitor USA
32	000.65.20.035	P278	Universal contactor
	000.65.20.032	N/A	Universal contactor complete, three-phase AC motor
33	102.65.60.100	P808	Emergency switch
34	000.65.62.221	P836	Red button for emergency switch

Lägler

SPARE PARTS



Lägler

SPARE PARTS

Pos.	Product-No.		Description
2	000.01.40.110	P018	MultiClip
3	000.65.53.251	N/A	Extension cable 3 x 2.5 mm <sup>2</sup> , 10 m long
	000.65.53.252	N/A	Extension cable 3 x 2.5 mm <sup>2</sup> , 20 m long
	000.65.55.151	P235	Extension cable 5 x 1.5 mm <sup>2</sup> , 10 m long, three-phase AC motor
4	000.01.20.010	N/A	Protective mask P3
5	000.01.50.010	P254	Safety belt
6	000.95.21.103	P867	Closed mouth wrench
7	000.95.11.171	P866	Open mouth wrench
8	000.93.11.061	P230	Hexagonal socket screw wrench 6 mm
9	000.93.11.051	P231	Hexagonal socket screw wrench 5 mm
10	000.93.11.041	P234	Hexagonal socket screw wrench 4 mm
11	100.00.50.100	P233	Setting fixture
12	100.00.45.105	P232	Box wrench
13	000.01.30.011	P227	Tool bag, empty
	100.98.00.100	P226	Tool bag, complete
20	720.00.00.200	P237	Trolley TRANSCART, complete
21	000.01.10.011	N/A	Foldable earmuff type MUSIMUFF
22	000.01.10.021	N/A	Foldable earmuff type POCKET
23	000.01.65.010	N/A	DI-safety plug
24	100.00.55.100	P835	Carrying handle HUMMEL
25	701.10.00.100	P1099	Impact tool
26	702.00.00.100	P1099-43	Parquet layer tool 43 cm long
27	703.00.00.100	P1099-55	Parquet layer tool 55 cm long
30	720.10.00.200	P1136	Accessories TRANSCART
31	720.05.00.205	P266	Wheel TRANSCART
40	000.10.42.240	P204	Milling drum 200 mm width, complete with accessories
41	900.02.45.105	P971	Carbide tool (10 pcs. per box)
42	900.02.47.105	P1121	Screw for blade
43	000.10.42.241	P1122	Milling drum with carbide blades
44	000.10.42.243	P1123	Cutting depth adjustment, complete
45	000.91.30.151	P1069	Torx screw driver

P254QR Break-Away Fastener

Lägler