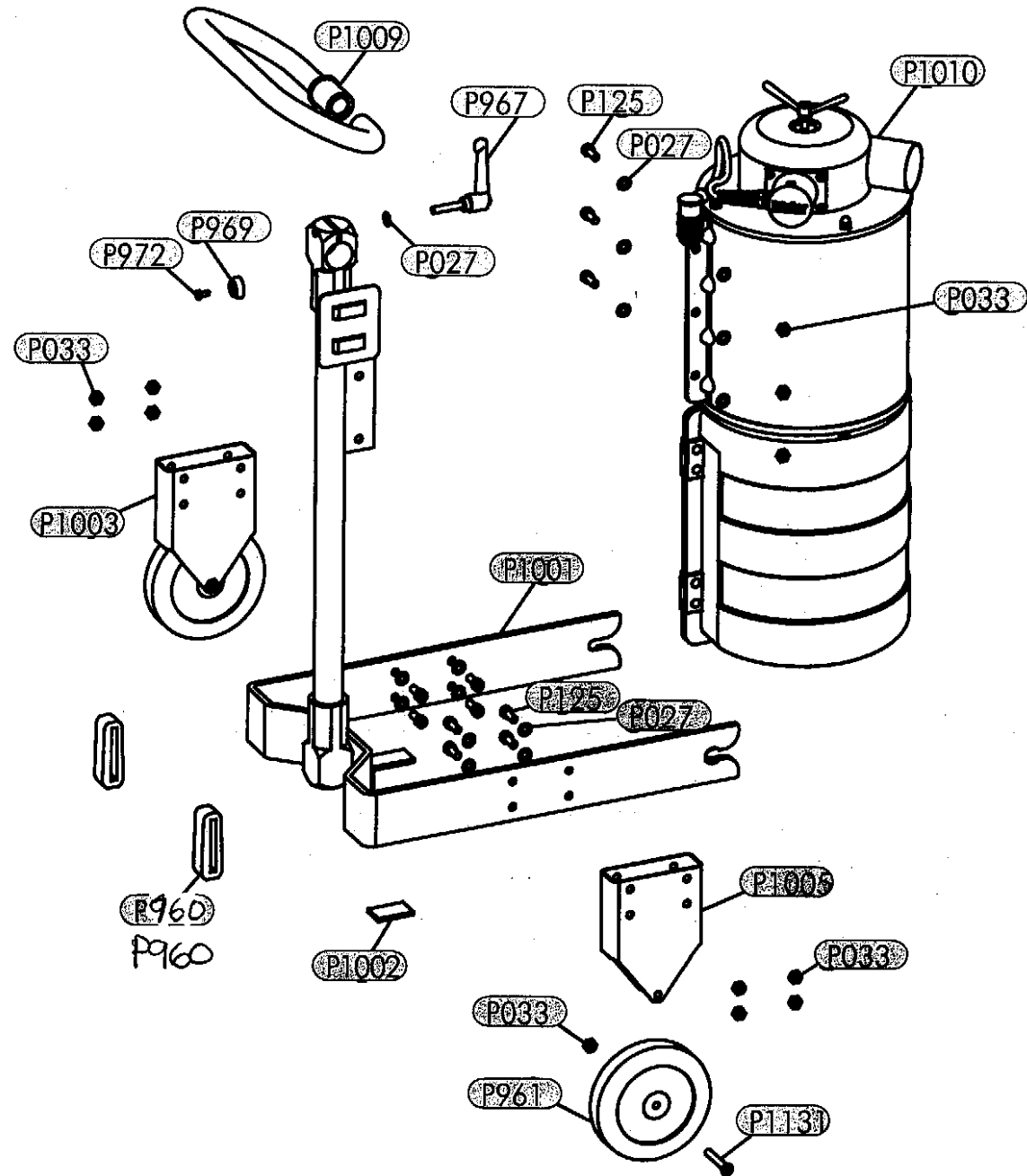
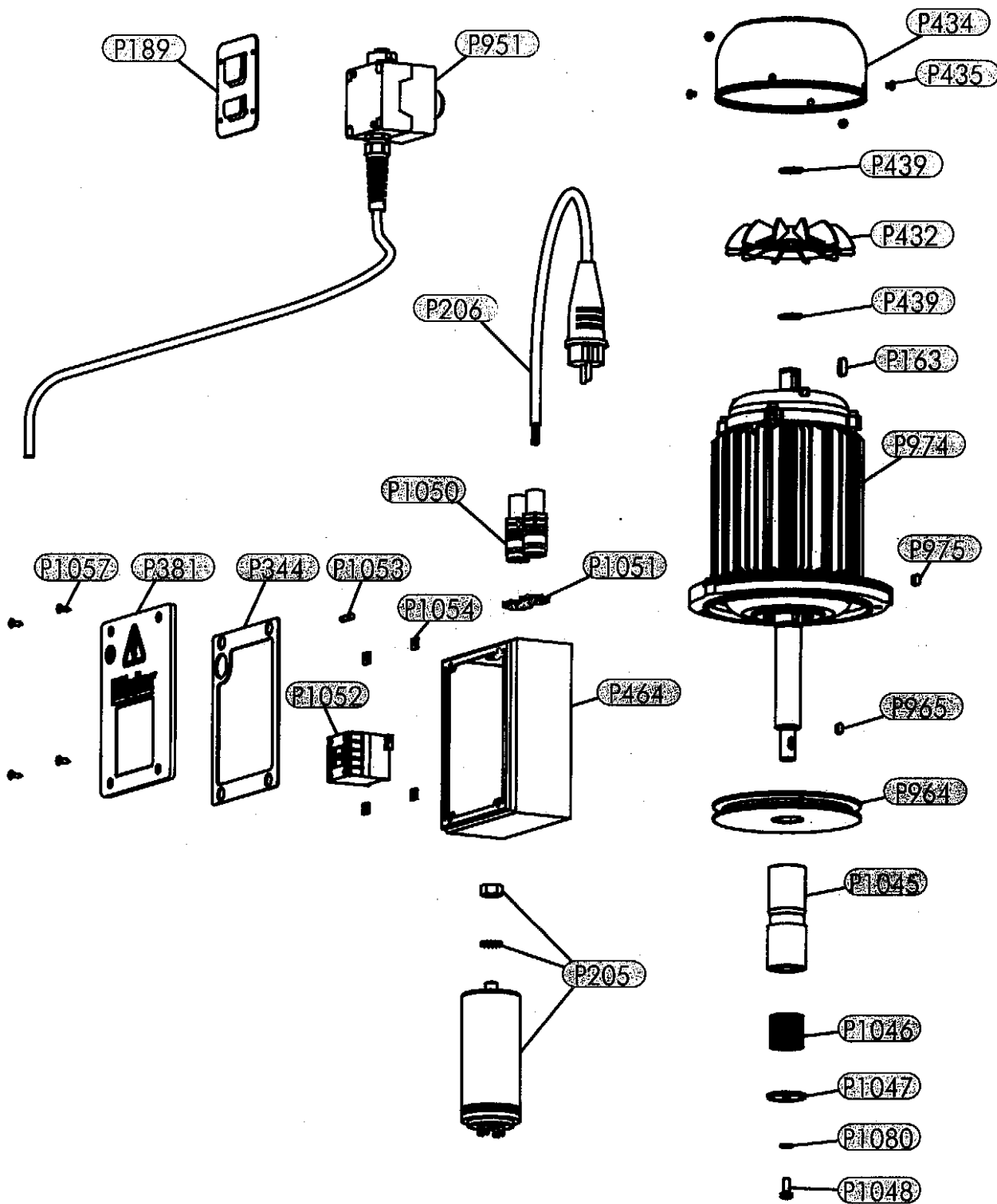


TRIO



Item	Part no.		Description
	900.70.00.100	P1000	Chassis, complete
1	900.70.05.100	P1001	Frame, complete
2	900.70.25.105	P1002	Bumper felt
3	900.70.80.105	P960	Safety rubber
4	900.70.36.100	P1003	Wheel, complete
6	900.70.34.100	P1005	Wheel holder
7	900.70.32.105	P961	Wheel
8	0125.1008.000	P027	Washer
9	7380.1008.055	P1131	Lens head screw
10	0980.1008.000	P033	Steel nut
14	0912.1008.020	P125	Hexagonal socket head screw
15	900.70.70.200	P1009	Handle
17	000.20.40.081	P967	Clamping device
18	900.70.52.105	P969	Rubber buffer
19	7500.1005.012	P972	Lens head screw
20	900.00.16.100	P1010	Separator, complete

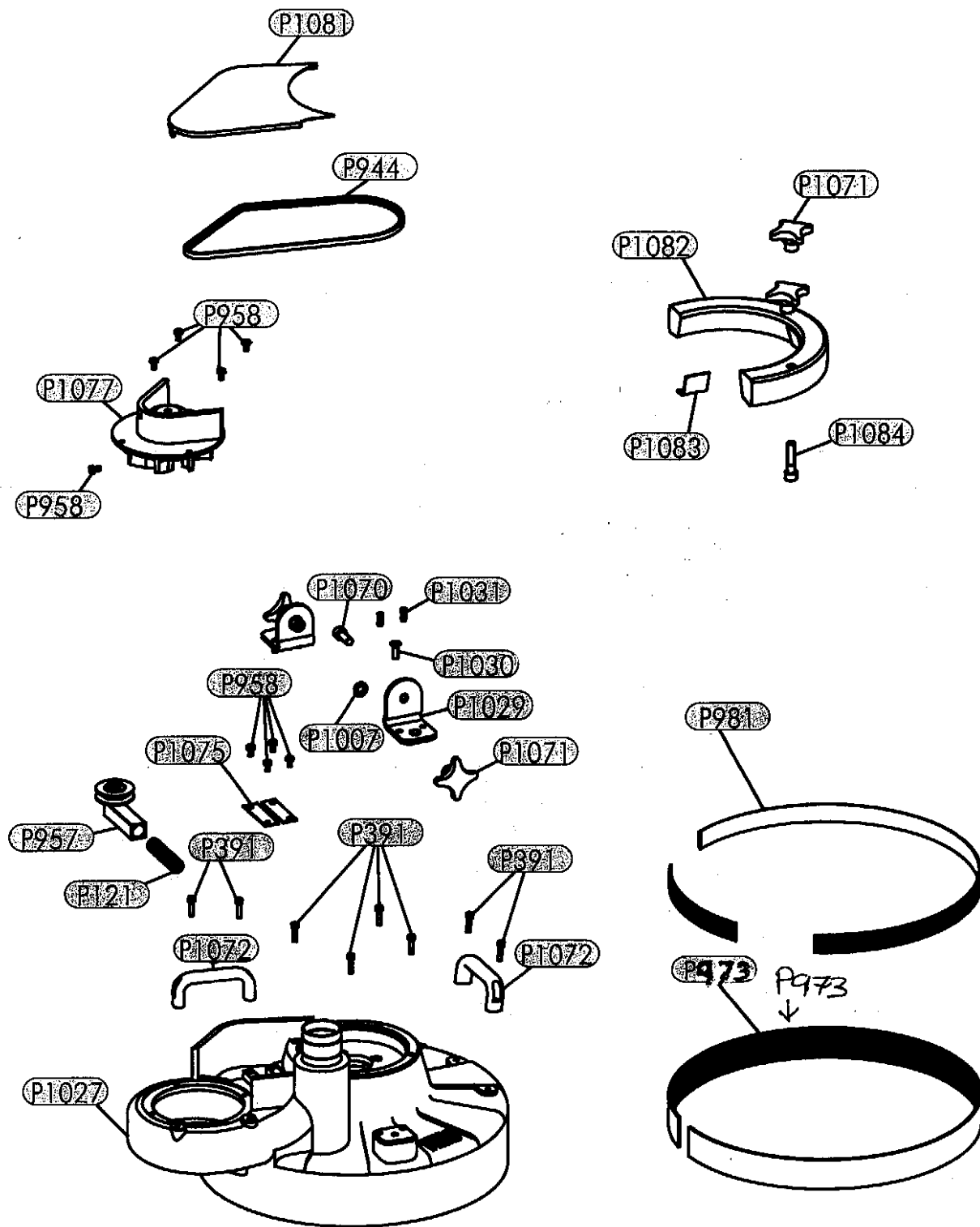
TRIO Motor & Switch Box



TRIO Motor & Switch Box

Item	Part no.		Description
	900.65.00.100	NA	Motor new, 230 V / 50 CPS
	901.65.00.100	NA	Motor new, 230 V / 60 CPS
	902.65.00.100	P974	Motor new, 220 V / 60 CPS, USA
	905.65.00.100	NA	Motor new, 400 V / 50 CPS, three phase
1	0471.0020.000	P439	Circlip
2	6885.0606.018	P163	Key
3	900.65.08.100	P432	Fan blade
4	900.65.09.100	P434	Fan cover
5	0085.1004.005	P435	Pan head screw
6	6885.0606.010	P975	Key
7	6885.0505.010	P965	Key
8	900.65.06.100	P964	Motor pulley
9	900.65.43.200	P1045	Spacer sleeve
10	900.65.41.105	P1046	Pinion
11	900.65.42.100	P1047	Lock washer
12	0127.1006.000	P1080	Spring washer
13	7985.1006.816	P1048	Lens head screw
14	900.65.40.100	P464	Switch Box
15	000.65.10.041	P205	Running capacitor
18	000.67.20.161	NA	Strain relief unit
	000.67.20.163	P1050	Strain relief unit USA
19	000.68.60.163	P1051	Nut
20	000.65.20.010	P1052	Universal contactor
21	000.65.80.061	P1053	Fuse
22	000.65.43.251	NA	Motor cable 3 x 2.5 mm <sup>2</sup>
	000.65.43.257	P206	Motor cable 3 x 2.5 mm <sup>2</sup> , USA
	000.65.45.151	NA	Motor cable 5 x 1.5 mm <sup>2</sup> , three phase
23	000.50.10.109	P1054	Clip nut
24	900.65.47.100	P381	Cover switchbox with sealing
25	465.65.48.105	P344	Sealing
26	7983.1042.013	P1057	Tapping screw
27	900.65.60.100	P951	Switch, complete
28	900.65.55.200	P189	Bracket

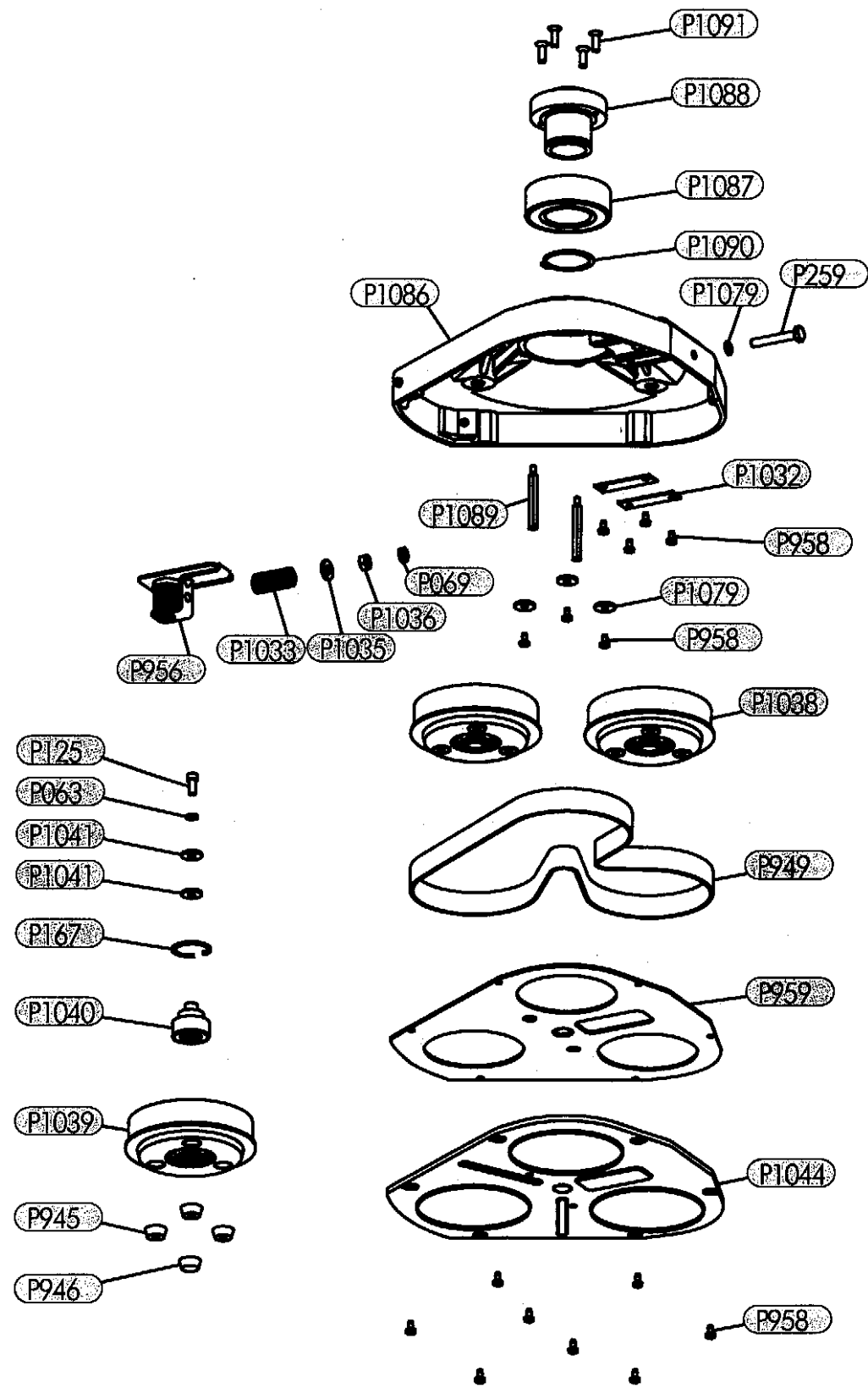
TRIO Housing Assembly



TRIO Housing Assembly

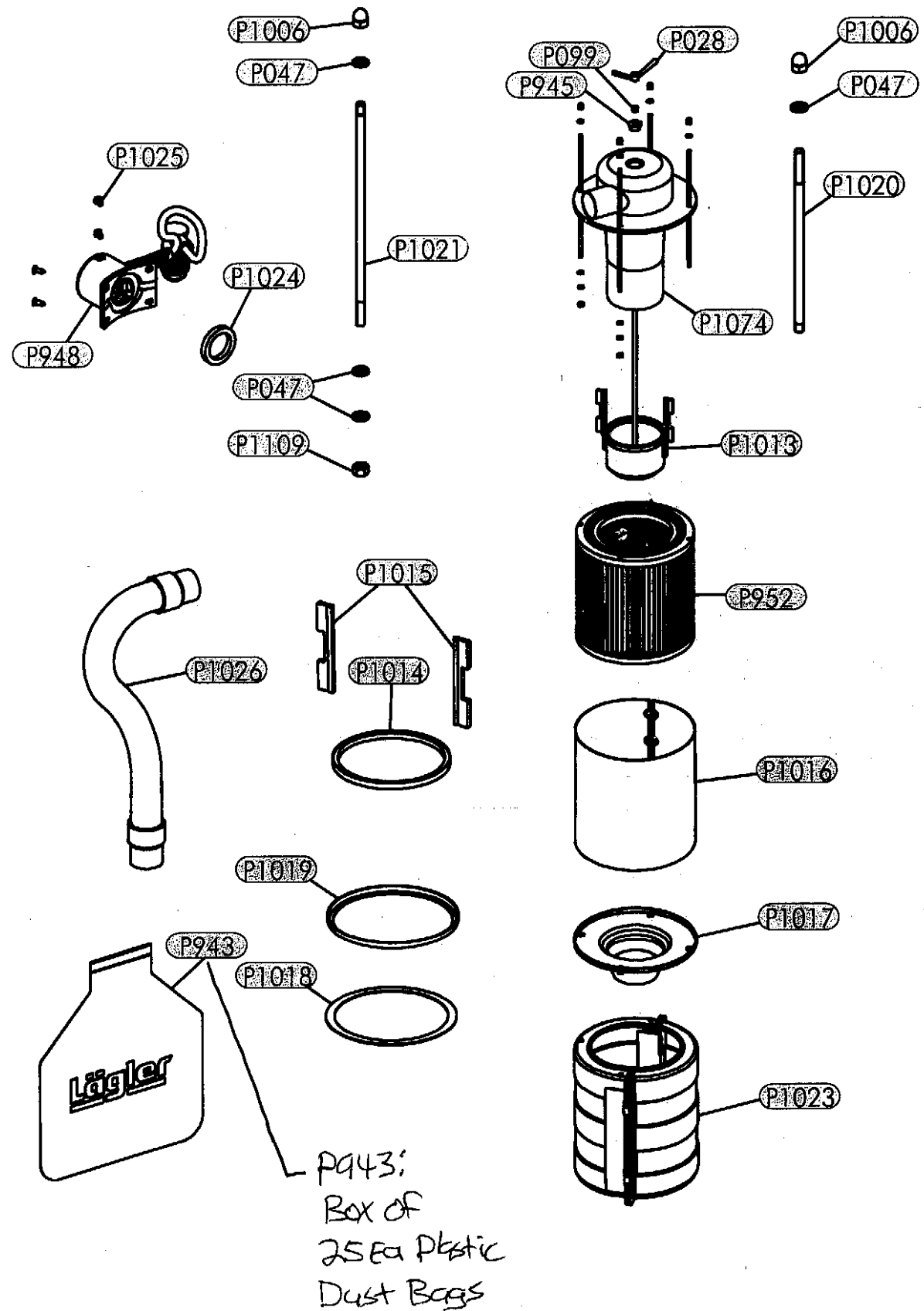
Item	Part no.		Description
1	900.01.10.200	P1027	Housing
2	900.01.42.100	P981	Self-adhesive Velcro negative
3	900.01.50.100	P973	Velcro seal
	900.01.50.105	P1028	Velcro seal TRIO by the roll (50 m)
4	900.01.60.100	P1029	Angle
5	0127.1012.000	P1007	Spring washer
6	0912.1012.030	P1070	Hexagonal socket head screw
7	1481.0008.020	P1031	Spring type straight pin
8	7991.1008.025	P1030	Countersunk screw
9	000.20.20.121	P1071	Cross grip
10	000.20.10.121	P1072	Handle
11	0912.1006.025	P391	Hexagonal socket head screw
12	900.58.00.200	P957	Belt tensioner, complete
19	000.31.20.091	P121	Compression spring
20	900.01.20.200	P1075	Guide plate
21	7500.1006.012	P958	Lens head screw
22	900.10.00.200	NA	Fan insert complete, European version
24	902.10.00.200	P1077	Fan insert complete, American version
33	000.71.51.085	P944	V-belt 10 x 850
34	900.50.10.100	P1081	Belt cover
40	900.80.00.100	P1082	Additional weight, complete
41	900.80.21.105	P1083	Felt
42	0912.1012.050	P1084	Hexagonal socket head screw

TRIO Drive Assembly

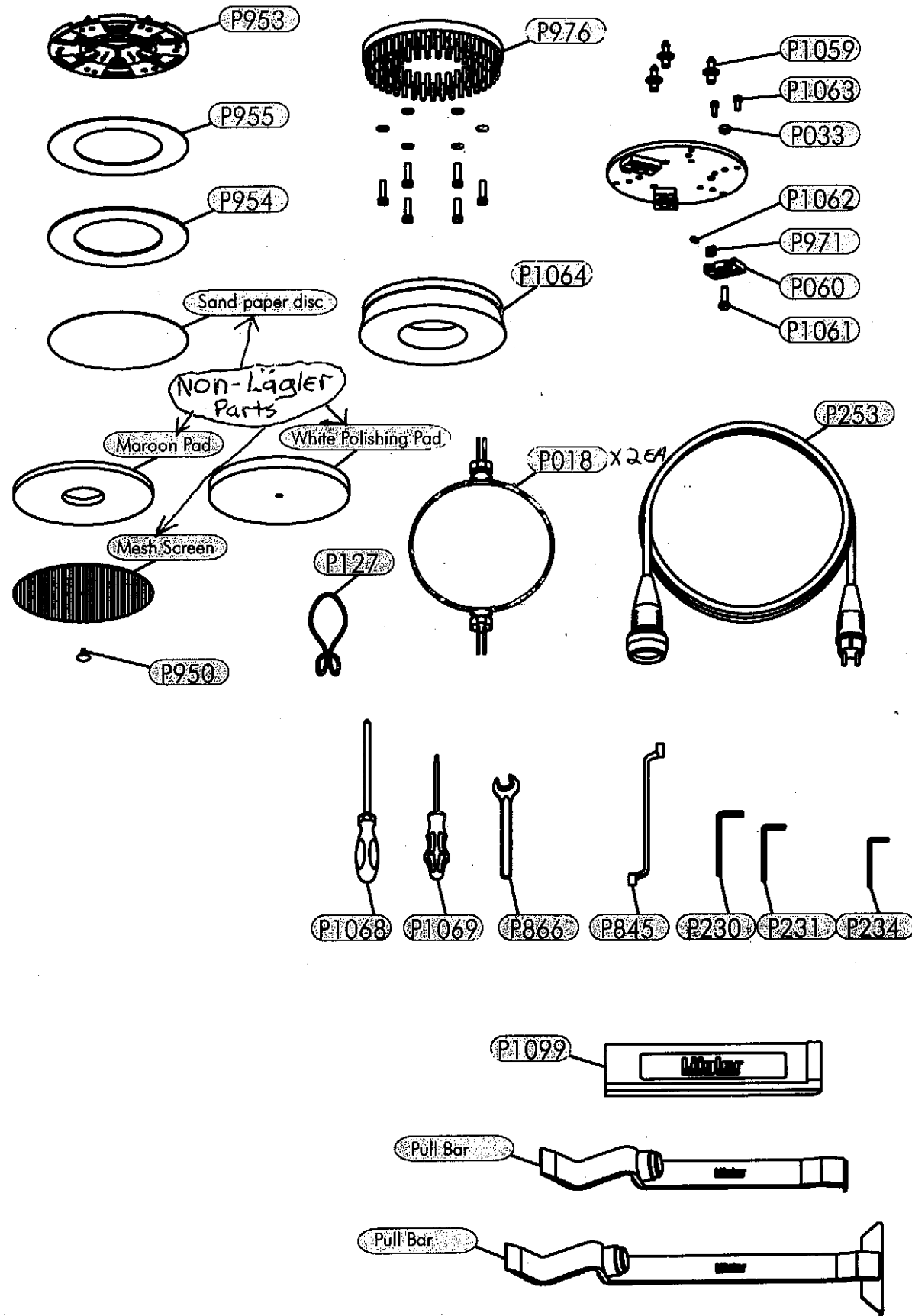


TRIO Drive Assembly

Item	Part no.		Description
	900.07.00.100	P1085	Inner housing, complete
1	900.07.10.200	P1086	Inner housing
2	900.07.20.100	P1088	Pick up
3	3212.0060.202	P1087	Ball bearing
4	0471.0060.000	P1090	Circlip
5	7991.1008.025	P1091	Countersunk screw
10	6797.1010.000	P1079	Toothed lock washer
11	0933.1010.065	P259	Hexagonal head screw
12	000.10.10.061	P1079	Lock washer
14	900.67.00.200	P956	Tooth belt tensioner, complete
15	000.31.25.061	P1033	Spring
16	900.07.42.205	P1089	Bolt
17	900.01.20.200	P1032	Guide plate
18	7500.1006.012	P958	Lens head screw
19	7349.1010.000	P1035	Washer
20	0934.1010.000	P1036	Nut
21	0439.1010.000	P069	Nut
22	900.03.00.100	P1038	Pulley, complete
23	900.03.20.200	P1039	Pulley
24	900.03.30.105	P945	Rubber plug
25	900.03.35.105	P946	Rubber plug
26	900.03.10.100	P1040	Axle pulley, complete
27	0472.0047.000	P167	Circlip
28	000.10.10.081	P1041	Washer
29	0127.1008.000	P063	Spring washer
30	0912.1008.020	P125	Hexagonal socket head screw
31	000.75.28.150	P949	Tooth belt
32	900.07.32.100	P1044	Cover complete
33	900.07.31.105	P959	Sealing felt



Item	Part no.		Description
1	900.16.10.100	P1074	Separator upper part
2	900.16.21.100	P1013	Opener, complete
3	900.16.23.100	P1014	Sealing brush
4	900.16.45.105	P1015	Filter brush
5	900.16.18.105	P952	Filter
6	900.16.19.100	P1016	Protective cover
7	900.16.17.100	P1017	Cover lower separator, complete
9	900.16.25.105	P1018	Sealing
10	900.16.22.100	P1019	Ring
11	900.03.30.105	P945	Rubber plug
12	900.16.27.105	P1020	Screw, short
13	900.16.26.105	P1021	Screw, long
14	0125.1006.000	P047	Washer
15	1587.1006.000	P1006	Cap nut
16	0980.1006.000	P1109	Steel nut
18	0934.1008.000	P099	Nut
19	000.20.45.083	P028	Wing nut
21	900.17.00.100	P1023	Dust bag box, complete
23	900.15.00.100	P948	Pressure control sensor, complete
24	900.15.40.100	P1024	Sealing washer
25	7983.1042.013	P1025	Tapping screw
30	900.14.00.105	P1026	Suction hose
31	900.00.80.105	P943	Disposable dust bags (25 pcs per carton)



Item	Part no.		Description
	900.02.10.200	P953	Universal disc
1	900.02.12.305	P955	Velcro ring 200 mm
2	900.02.13.205	P954	Flexible ring with velcro 200/125 mm
3	9.162.200.060	NA	Easy-grip polygon sanding disc 200 mm diameter grain 60
4	9.632.201.080	NA	Polish pads, white, for TRIO
	9.632.201.030	NA	Scrubbing pads, green, for TRIO
5	900.02.23.105	P950	Plastic pin
	900.02.40.100	P970	Milling disc, complete
7	900.02.42.105	P1059	Fastening bolt
8	0912.1006.014	P1063	Hexagonal socket head screw
9	0934.1008.000	P033	Nut
10	900.02.43.100	P1060	Holder milling blade
11	900.02.45.105	P971	Carbide tool (10 pcs. per box)
12	900.02.47.105	P1062	Screw for blade
13	900.02.49.105	P1061	Special screw
14	900.02.30.105	P1064	Brushing disc
	900.02.50.100	P976	Brush with flat steel inserts, complete
17	900.02.52.100	P976	Brush with flat steel inserts, add-on kit
22	9.612.205.040	NA	Nylon pad, beige, for TRIO
23	9.412.201.060	NA	Scotch-Mesh sanding screen, grain 60
25	000.65.53.251	P235	Extension cable 3 x 2.5 mm <sup>2</sup> , 10 m long
	000.65.53.252	P235L	Extension cable 3 x 2.5 mm <sup>2</sup> , 20 m long
27	000.91.20.031	P1068	Phillips screwdriver
28	000.91.30.151	P1069	Torx screwdriver
29	000.95.11.171	P866	Open mouth wrench
30	000.95.21.103	P845	Closed mouth wrench
31	000.93.11.061	P230	Hexagonal socket screw wrench 6 mm
32	000.93.11.051	P231	Hexagonal socket screw wrench 5 mm
33	000.93.11.041	P234	Hexagonal socket screw wrench 4 mm
34	000.01.40.112	P018	Multiclip TRIO (P018 2EA NEEDED FOR TRIO APPLICATION)
35	000.01.40.011	P127	Strain relief ring
36	000.01.10.011	NA	Foldable earmuff type MUSIMAFF
37	000.01.10.021	NA	Foldable earmuff type POCKET
38	000.01.65.010	NA	DI-safety plug
39	701.10.00.100	P1099	Impact tool
40	702.00.00.100	NA	Parquet layer tool, 43 cm
41	703.00.00.100	NA	Parquet layer tool, 55 cm
42	000.01.20.010	NA	Protective mask P3