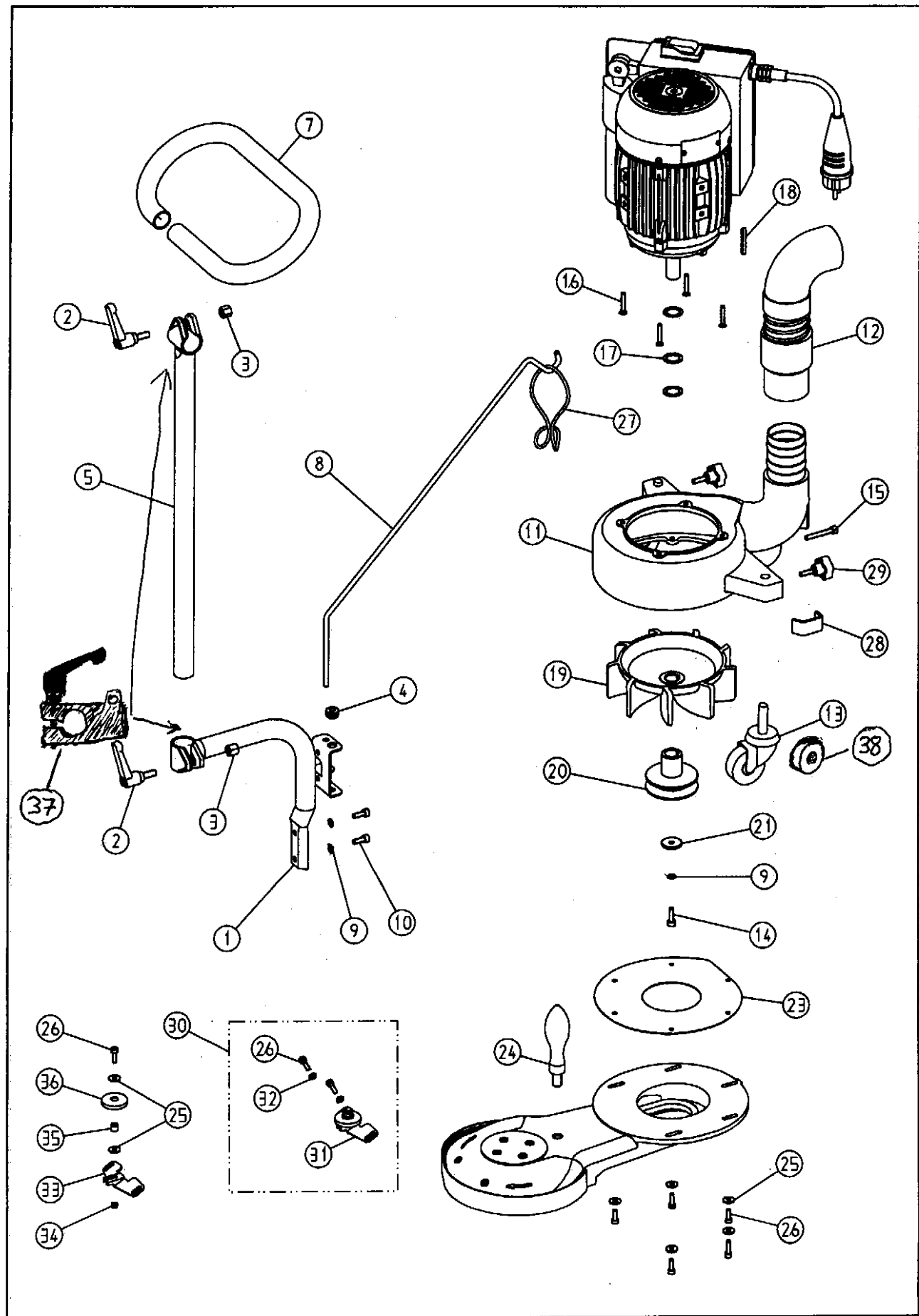


# UNICO EDGER

800-484-6635 Toll Free  
 800-8(HUMMEL)  
 303-375-0280 Main  
 303-375-0372 Fax

## Lägler UNICO SPARE PARTS



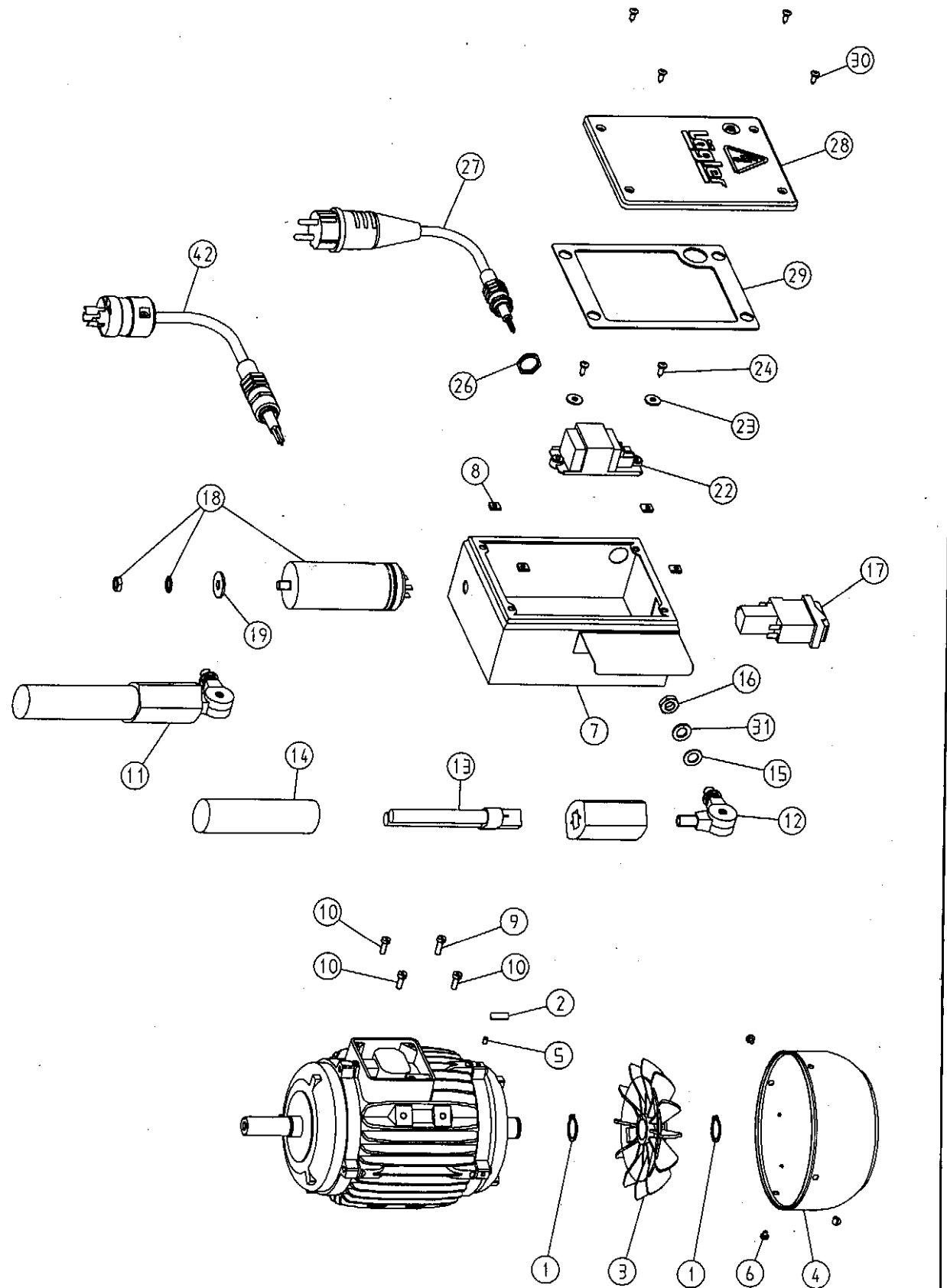
Position	Manufacturer Number	Part Number	Description
1	465.20.10.100	P393	Lower handle, complete
2	0912.1008.025	P1126	Clamping Device
3	6330.1008.000	P409	Nut
4	000.63.12.071	P333	Rubber tube
5	465.20.31.100	P445	Guide long tube
7	465.20.08.105	P446	Handle
	465.20.30.100	N/A	Guide tube long, with handle
	465.20.00.100	P332	Guide fork
8	465.20.26.100	P442	Cable support, complete
9	6797.1006.000	P1021	Toothed lock washer
10	0912.1006.016	P335	Hexagonal socket head screw
11	465.08.00.100	P385	Fan Housing
12	465.14.00.105	P336	Hose
13	465.05.00.105	P392	Guiding wheel
14	0912.1006.020	P045	Hexagonal socket head screw
15	0912.1006.940	P337	Hexagonal socket head screw
16	0965.1005.030	P428	Countersunk screw
17	0988.0018.010	P386	Precision washer
18	6885.0404.040	P383	Key
19	465.08.02.100	P387	Fan wheel
20	465.65.06.100	P389	Motor pulley
21	000.10.10.061	P390	Lock washer
23	465.08.10.105	P338	Sheet cover
24	000.20.30.121	P078	Handle
25	9021.1005.000	P465	Washer
26	0912.1005.016	P339	Hexagonal socket head screw
27	000.01.40.011	P1111	Strain relief ring
28	465.08.21.105	P1112	Bumper felt
29	000.20.25.065	P1125	Cross Grip
30	465.60.00.100	P1127	Wall protecting roller w/bracket, cmp.
31	465.60.10.100	P1128	Wall protecting roller w/bracket
32	0125.1005.000	P1129	Washer
33	465.60.01.100	P1130	Bracket
34	0934.1005.000	P1131	Nut
35	000.43.15.052	P1132	Bush
36	465.60.02.100	P1133	Wall protecting roller
37	465.20.04.100	P1236	Pipe Clamps (New Unico Style)
38	465.05.09.105	P398	Wheel

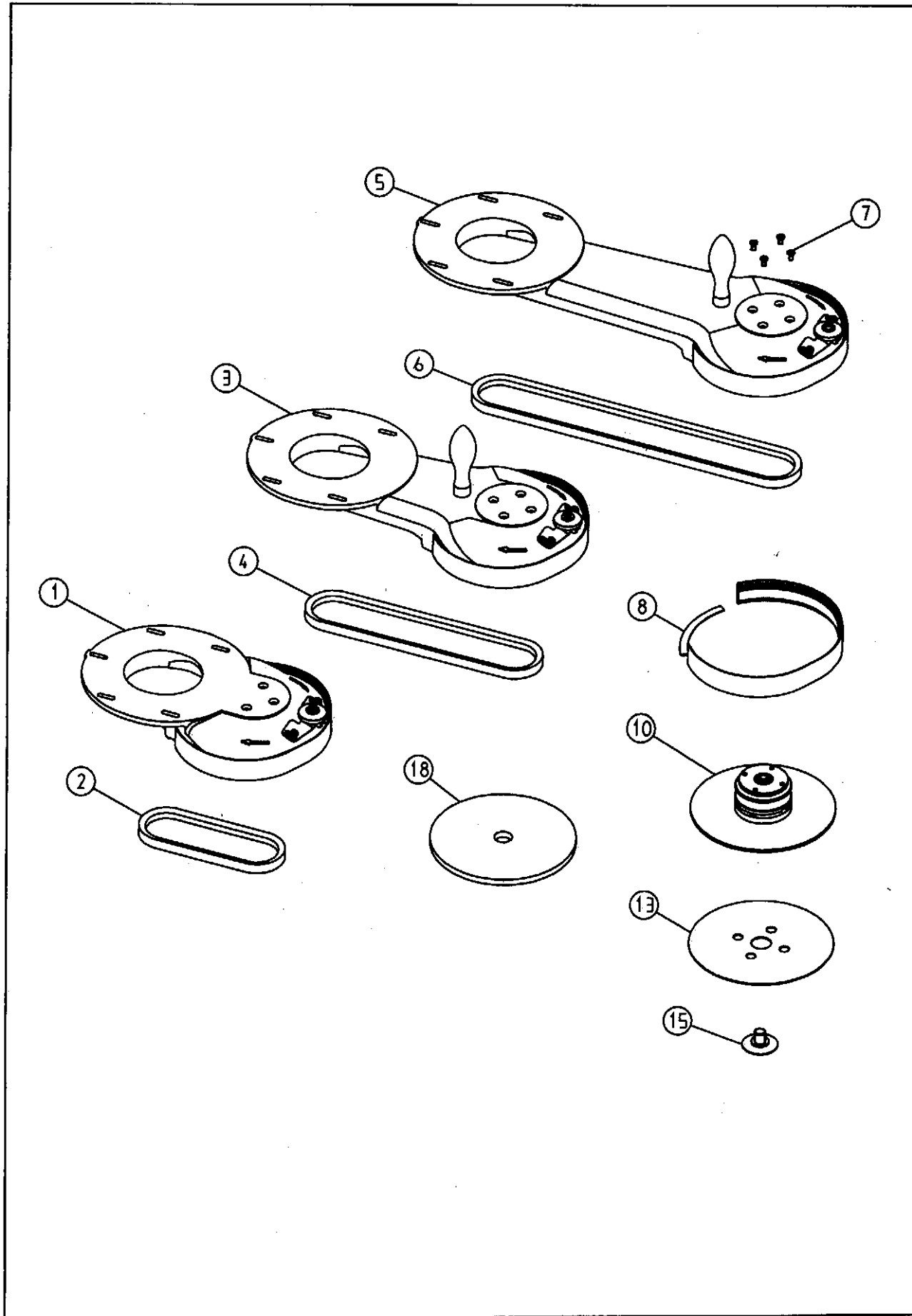
26

27

# Lägler UNICO SPARE PARTS

Position	Manufacturer Number	Part Number	Description
1	0471.0020.000	P439	Circlip
2	6885.0606.018	P163	Key
3	900.65.08.100	P432	Fan blade
4	900.65.09.100	P434	Fan cover
5	0913.0004.006	P463	Grub screw
6	0085.1004.005	P435	Pan head screw
7	465.65.40.100	P464	Switch box with clip nut
8	000.50.10.109	P1054	Clip nut
9	0084.1005.016	P350	Pan head screw
10	0084.1005.014	P261	Pan head screw
11	465.63.01.105	P419	Working light, complete
12	465.63.20.105	P340	Joint
13	465.63.11.105	P430	Fluorescent tube
14	465.63.12.105	P341	Tube
15	0433.1010.000	P342	Washer
16	0439.1010.010	P069	Nut
17	000.65.60.256	P458-220	Switch 230 V / 50 + 60 CPS
	000.65.60.156	P441	Switch 115 V / 50 + 60 CPS
18	000.65.10.031	N/A	Capacitor
	000.65.10.131	P153	Capacitor USA
19	9021.1008.000	P257	Washer
22	465.63.52.105	N/A	Fluorescent lamp ballast 230V/50 CPS
	465.63.62.105	P399	Fluorescent lamp ballast 220+230V/60 CPS
	465.63.51.105		Fluorescent lamp ballast 120V/50 CPS
	465.63.61.105	P400	Fluorescent lamp ballast 110+120V/60 CPS
23	9021.1005.000	P465	Washer
24	7981.1042.013	P1025	Screw
26	000.68.60.111	P343	Nut
27	000.65.43.151	N/A	Motor cable 3 X 1.5 mm <sup>2</sup>
28	900.65.47.100	P381	Cover switchbox with sealing
29	465.65.48.105	P344	Sealing
30	7983.1042.013	P1057	Screw
31	0127.1010.000	P1113	Spring washer
42	000.65.43.153	N/A	Motor cable 3 X 1.5 mm <sup>2</sup> , USA





Position	Manufacturer Number	Part Number	Description
1	425.01.01.100	P357	Attachment 105 mm
2	000.71.25.041	P360	V-belt 13 X 407
	425.01.00.100	P357C	Attachment 105 mm, complete
3	445.01.01.100	P329	Attachment 230 mm
4	000.71.25.065	P356	V-belt 13 X 650
	445.01.00.100	P329C	Attachment 230mm, complete
5	465.01.01.100	P330	Attachment 350 mm
6	000.71.25.090	P357	V-belt 13 X 900
	465.01.00.100	P331	Attachment 350 mm, complete
7	0965.1005.010	P421	Countersunk screw
8	465.01.52.100	P456	Sealing set
	465.01.51.105	N/A	Velcro by the roll / 25 m
10	465.01.91.200	P423	Steel sanding disc complete
13	465.02.12.205	P417	Velcro disc 177 mm
	465.02.06.105		Felt disc
15	465.02.05.100	P425	Paper tensioning screw
18	9.612.183.020	NA	Scotch-Brite pad

465.01.00.200

P330C Attachment 350 mm, Complete

# Lägler UNICO SPARE PARTS

Position	Manufacturer Number	Part Number	Description
1	465.00.80.105	P440	Dustbag
2	000.01.40.110	P018	Multiclip
3	000.65.53.151	P444	Extension cable 3 X 1.5 qmm, 10 m
4	000.01.20.010	N/A	Protective mask P3
5	000.93.11.041	P234	Hexagonal socket screw wrench 4 mm
6	000.93.11.051	P231	Hexagonal socket screw wrench 5 mm
7	000.93.11.061	P230	Hexagonal socket screw wrench 6 mm
9	465.65.00.100	NA	Motor new, 230 V/50 Hz
	466.65.00.100	NA	Motor new, 230 V/60 Hz
	464.65.00.100	NA	Motor new, 120 V/50 Hz
	468.65.00.100	NA	Motor new, 120 V/60 Hz
	467.65.00.100	P377-220V	Motor new, 220 V/60 Hz, USA
	469.65.00.100	P377	Motor new, 110 V/60 Hz, USA
10	000.01.10.021	NA	Foldable earmuff type POCKET
11	000.01.10.011	NA	Foldable earmuff type MUSIMAFF
12	701.10.00.100	P1099	Impact tool
13	702.00.00.100	NA	Parquet layer tool, 43 cm
14	703.00.00.100	NA	Parquet layer tool, 55 cm
15	000.01.65.010	NA	DI-safety plug

